

Moment Load Formulas/Ratings

Crossed Roller Rail Sets

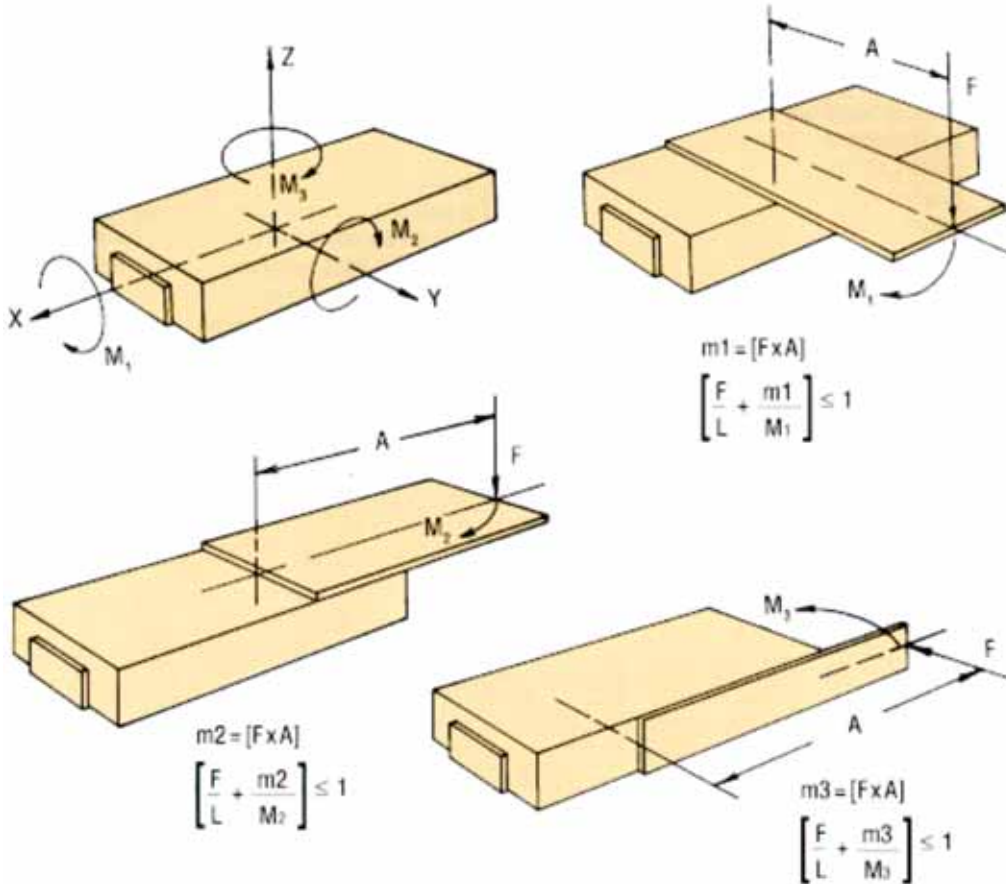
A = Distance (inches) from slide centerline to line of acting force.

F = Acting force (lbs.)

L = Published load capacity (lbs.)

M₁, M₂, M₃ = Moment load rating (lbs. - inch).

m1 - m2 - m3 = Acting moment load (lbs. - inch).



Crossed Roller Rail Sets

Model #	M1 lb-in	M2 lb-in	M3 lb-in	Model #	M1 lb-in	M2 lb-in	M3 lb-in
NB1-020	0	9.7	10.2	NB3-200	0	1382.3	1451.4
NB1-030	0	19.2	20.1	NB3-225	0	1691.5	1776.1
NB1-040	0	36.7	38.6	NB3-250	0	2152.5	2260.1
NB1-050	0	61.1	64.1	NB3-275	0	2534.4	2661.1
NB1-060	0	91.5	96.0	NB3-300	0	3092.1	3246.7
NB1-070	0	128.9	135.3	NB3-325	0	3546.8	3724.1
NB1-080	0	159.4	167.3	NB3-350	0	4201.8	4411.9
NB2-030	0	21.8	22.9	NB4-080	0	247.4	259.8
NB2-045	0	54.6	57.3	NB4-120	0	602.3	632.4
NB2-060	0	102.7	107.9	NB4-160	0	1117.2	1173.1
NB2-075	0	142.8	149.9	NB4-200	0	1777.3	1866.2
NB2-090	0	216.0	226.8	NB4-240	0	2629.8	2761.3
NB2-105	0	272.5	286.1	NB4-280	0	3601.5	3781.6
NB2-120	0	370.8	389.4	NB4-320	0	4725.4	4961.7
NB2-135	0	443.8	466.0	NB4-360	0	6002.3	6302.4
NB2-150	0	567.2	595.5	NB4-400	0	7431.3	7802.9
NB2-165	0	706.9	742.2	NB4-440	0	9087.7	9542.0
NB2-180	0	864.0	907.2	NB4-480	0	10828.9	11370.3
NB3-050	0	87.3	91.7	NB6-100	0	803.8	844.0
NB3-075	0	176.7	185.5	NB6-150	0	1788.0	1877.4
NB3-100	0	344.4	361.6	NB6-200	0	3104.4	3259.6
NB3-125	0	506.5	531.8	NB6-250	0	4850.6	5093.1
NB3-150	0	771.4	809.9	NB6-300	0	6901.6	7246.7
NB3-175	0	1018.6	1069.5	NB6-350	0	9410.0	9880.5
				NB6-400	0	12305.9	12921.2