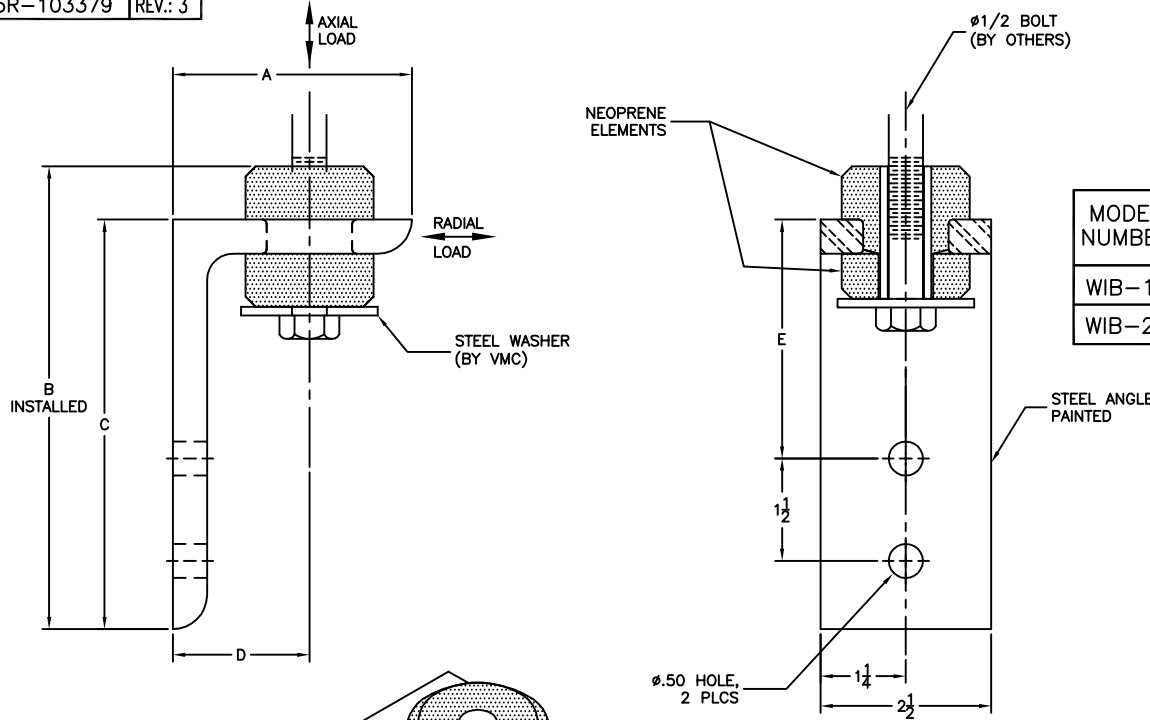
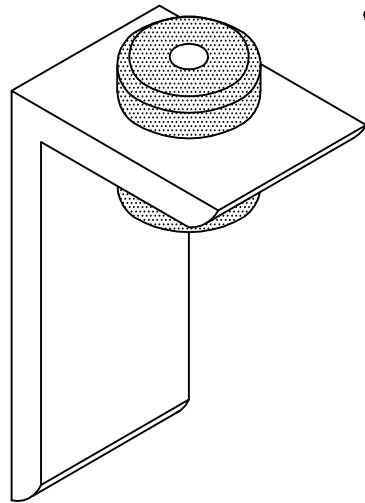


REV.	DESCRIPTION	DATE	BY



MODEL NUMBER	RATED AXIAL LOAD VS. DEFLECTION				MAXIMUM ASSIGNED WALL WEIGHT	MAXIMUM RADIAL LOAD
	LOAD	DEFL.	LOAD	DEFL.		
WIB-1	60 LBS	.05 IN.	120 LBS	.10 IN.	350 LBS	50 LBS
WIB-2	200 LBS	.05 IN.	400 LBS	.10 IN.	1600 LBS	200 LBS



MODEL NUMBER	DIMENSION				
	A	B	C	D	E
WIB1	2	4-1/2	4	1-1/8	1-3/4
WAB2	3-1/2	6-3/4	6	2	3-1/2

WIB'S ARE TO BE INSTALLED AT 4FT ON CENTER IN BOTH THE HORIZONTAL AND VERTICAL DIRECTIONS

OTHER MATERIALS, COMPOUNDS, OR FINISHES WITH EQUAL OR SUPERIOR PROPERTIES MAY BE SUBSTITUTED AS THEY BECOME AVAILABLE.

**CERTIFIED FOR:**

JOB NAME: \_\_\_\_\_  
 CUSTOMER : \_\_\_\_\_  
 CUSTOMER P.O.: \_\_\_\_\_  
 SALES ORDER: \_\_\_\_\_

**MODEL WIB 1-2 60-200 LBS.ELASTOMERIC WALL ISOLATION BRACE**



**THE VMC GROUP**  
*The Power of Together*  
 Bloomingdale, NJ 07403  
 Houston, TX 77041

SCALE :

NONE

SHEET:



DRAWING NO.:

REVISION