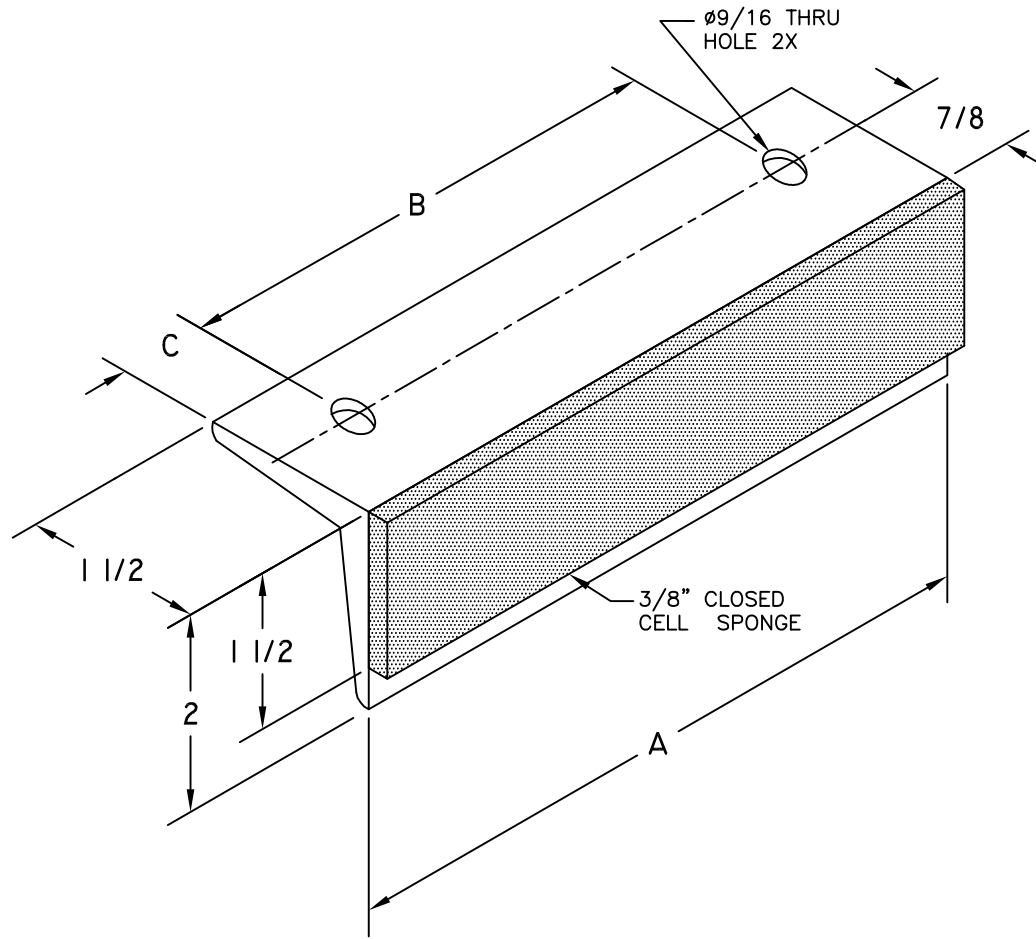




REV.	DESCRIPTION	DATE	BY



MODEL NUMBER	DIMENSION		
	A	B	C
WAB1-2	24	18	3
WAB1-3	36	24	6
WAB1-4	48	24	12

WAB'S ARE TO BE INSTALLED AT 4FT LENGTHS ON BOTH SIDES OF THE ISOLATED WALL.

OTHER MATERIALS, COMPOUNDS, OR FINISHES WITH EQUAL OR SUPERIOR PROPERTIES MAY BE SUBSTITUTED AS THEY BECOME AVAILABLE.

<b>CERTIFIED FOR:</b> JOB NAME: _____ CUSTOMER : _____ CUSTOMER P.O.: _____ SALES ORDER: _____	<b>MODEL WAB ELASTOMERIC WALL ISOLATOR</b>	 <b>THE VMC GROUP</b> <i>The Power of Together</i> Bloomingdale, NJ 07403 Houston, TX 77041	SCALE : NONE	
			SHEET:	
			DRAWING NO.:	REVISION
			_____	_____