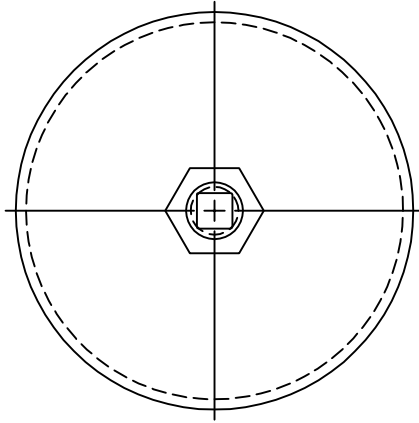


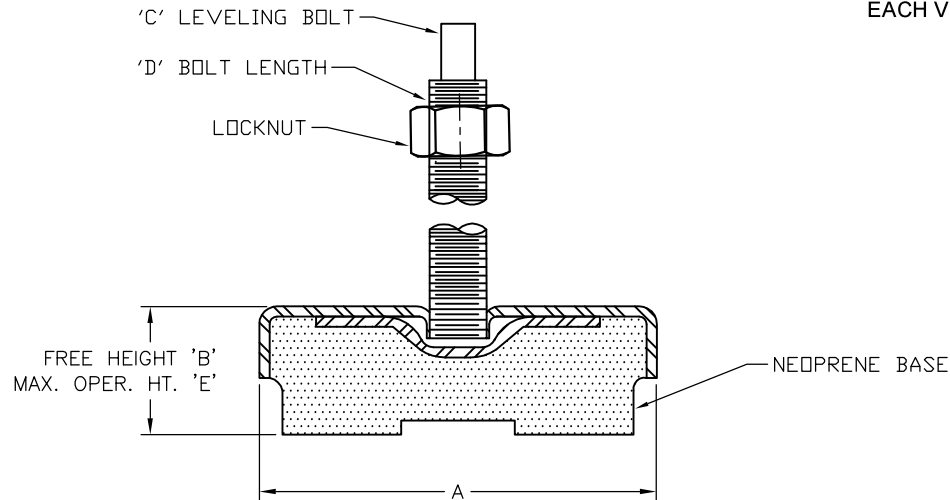
REV.	DESCRIPTION	DATE	BY



DIMENSIONS

MOUNTING SIZE CAPACITY POUNDS	VLM-3 UP TO 500	VLM-5 500-1000	VLM-6 1000-4000	VLM-8 4000-12000
A'	3 1/2"	5"	6 1/4"	8"
B'	1 1/8"	1 3/4"	1 3/4"	2"
C'	1/2"-13	1/2"-13	3/4"-10	1"-14
D'	3 1/2"	5"	5"	8"
E'	1 5/8"	2 1/4"	2 1/4"	2 1/2"

NOTE: ZINC PLATED LEVELING BOLT AND LOCK NUT FURNISHED WITH EACH VLM MOUNTING



INSTALLATION INSTRUCTIONS

1. SELECT MOUNTING FOR LOAD REQUIRED.
2. REMOVE LEVELING BOLT FROM MOUNTING.
3. CENTER MOUNTING UNDER HOLE IN EQUIPMENT LEG OR BASE.
4. REPLACE LEVELING BOLT AND TURN CLOCKWISE TO LEVEL EQUIPMENT AS REQUIRED.
5. TIGHTEN LOCK NUT.

OTHER MATERIALS, COMPOUNDS, OR FINISHES WITH EQUAL OR SUPERIOR PROPERTIES MAY BE SUBSTITUTED AS THEY BECOME AVAILABLE.

CERTIFIED FOR:

JOB NAME: _____

CUSTOMER : _____

CUSTOMER P.O.: _____

SALES ORDER: _____

**MODEL VLM SERIES
FLEX LEVELING ISOLATORS**



THE VMC GROUP
The Power of Together
Bloomington, NJ 07403
Houston, TX 77041

SCALE :

NONE

SHEET:



DRAWING NO.:

REVISION