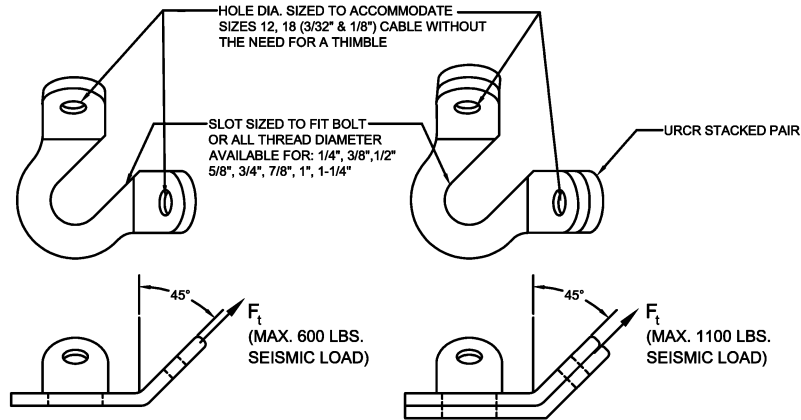


REV.	DESCRIPTION	DATE	BY

SIZE 12 (RED)
(SINGLE URCR)

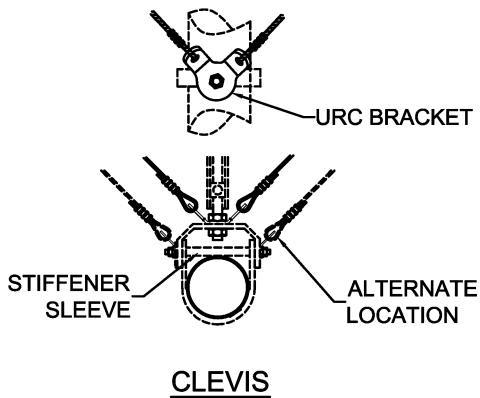
SIZE 18 (WHITE)
(DOUBLE URCR)



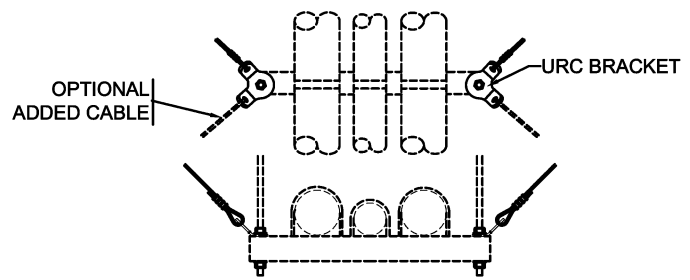
NOTES:
 (1) MAX F_t FOR SINGLE URCR (USED FOR RED CABLE) IS 600 LBS. MAX F_t FOR DOUBLE URCR (USED FOR WHITE CABLE) IS 1100 LBS.
 (2) URCR DESIGNED TO INSTALL ON EXISTING COMPONENTS. BRACKET WILL MAINTAIN CABLE BREAK STRENGTHS WITHOUT A THIMBLE.
 (3) ORDER URCR BRACKET BY BOLT SIZE (I.E. URCR-1/2 TO FIT A 1/2\"/>



TYPICAL URCR CONNECTIONS TO BRACED COMPONENTS

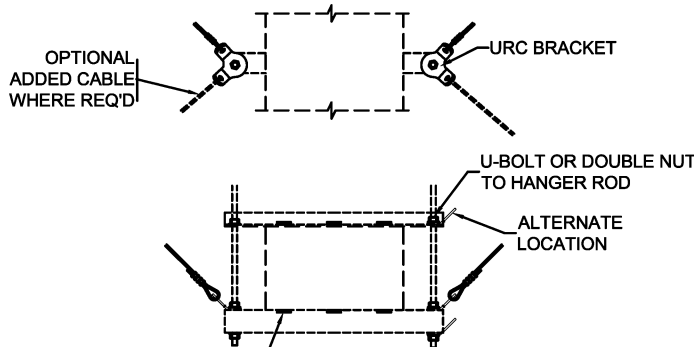


CLEVIS



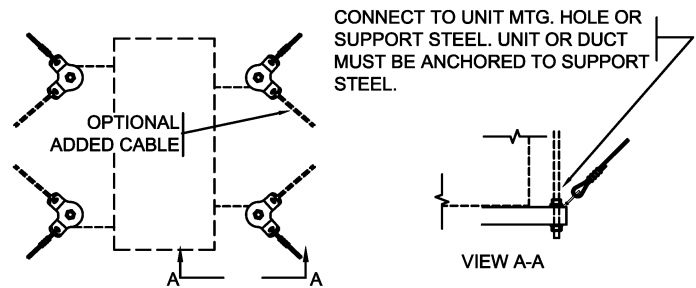
TRAPEZE

DO NOT CLAMP PIPING WITH DIFFERENTIAL THERMAL DISPLACEMENT SUCH AS HW AND CW TO THE SAME RESTRAINED TRAPEZE.



#10 SELF-TAPPING SHEET METAL SCREWS @ 18\"/>

DUCT



CONNECT TO UNIT MTG. HOLE OR SUPPORT STEEL. UNIT OR DUCT MUST BE ANCHORED TO SUPPORT STEEL.

EQUIPMENT

NOTE: OTHER MATERIALS, COMPOUNDS, OR FINISHES WITH EQUAL OR SUPERIOR PROPERTIES MAY BE SUBSTITUTED AS THEY BECOME AVAILABLE.

CERTIFIED FOR:

JOB NAME: _____
 CUSTOMER: _____
 CUSTOMER P.O.: _____
 SALES ORDER: _____

**MODEL URC 6032 SEISMIC
BRACKET RESTRAINT**



THE VMC GROUP
 The Power of Together
 Bloomingdale, NJ 07403
 Houston, TX 77041

SCALE: NONE
 SHEET: _____



DRAWING NO.: _____ REVISION _____