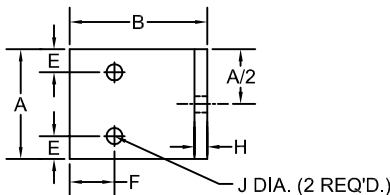
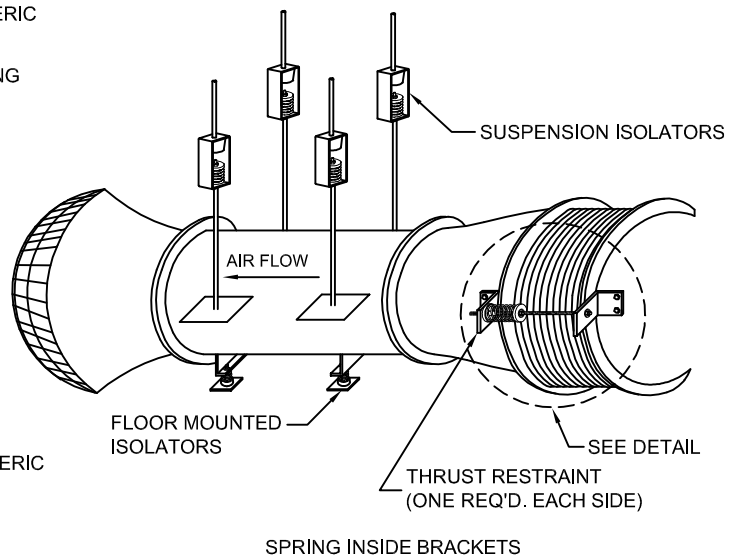
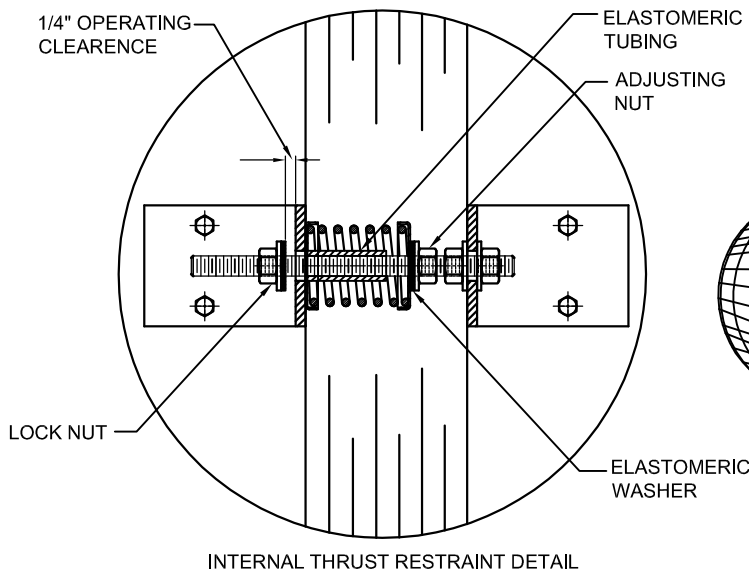
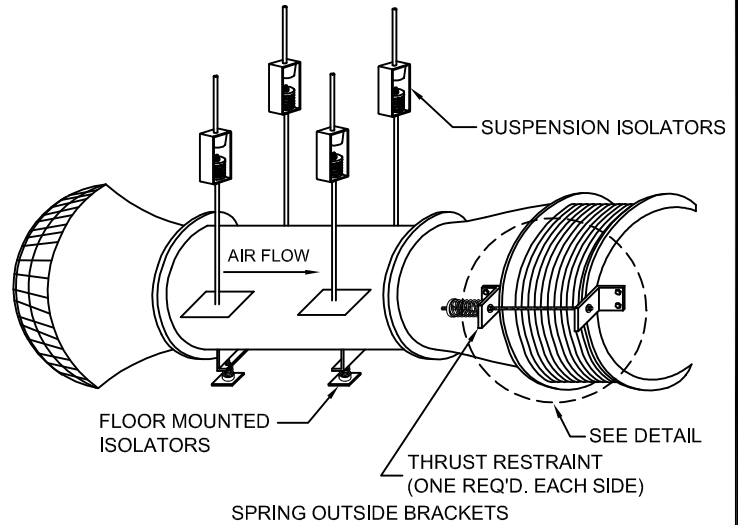
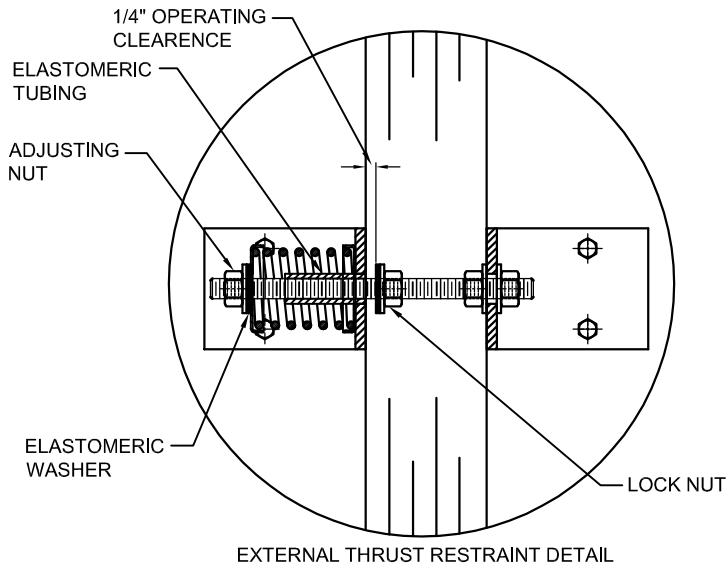
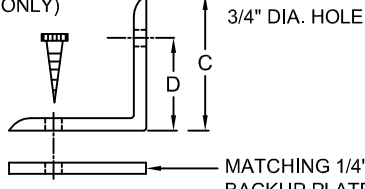


REV.	DESCRIPTION	DATE	BY



SELF-TAPPING SCREW FOR J DIA. HOLE BY OTHERS (BOLT AND NUT FOR J DIA. HOLE USED WITH TRK-1E ONLY)



ANGLE CLIPS (1 REQ'D./RESTRAINT) (TOTAL (2) PER SET)

THRUST RESTRAINT KITS	DIMENSIONS (IN.)							
	A	B	C	D	E	F	H	J
TRK-1C	3	4	3	2	1/2	1-1/2	1/4	1/4
TRK-1D	4	4	3	2	1	1-1/2	3/8	3/8
TRK-1E	4	4	4	2-3/8	1	1-1/2	1/2	1/2

KIT CONSIST OF 2 ASSEMBLIES, SHIPPED LOOSE, TO BE FIELD ASSEMBLED AS REQUIRED.

NOTE: SPRINGS, CUPS, WASHERS, ELASTOMERIC SLEEVES AND ANGLE CLIPS WITH BACKUP PLATES (TRK-1E ONLY) BY VMC GROUP CO. 1/2\"/>

(SUPERSEDES DRAWING H-1055 PER ECN-R0414)

CERTIFIED FOR:

JOB NAME: _____
 CUSTOMER : _____
 CUSTOMER P.O.: _____
 SALES ORDER: _____

**MODEL TRK EXT. AND INT.
 SPRING ISOLATORS
 THRUST RESTRAINT KIT
 DETAILS FOR IN LINE FANS**



THE VMC GROUP
 The Power of Together
 Bloomingdale, NJ 07403
 Houston, TX 77041

SCALE :

NONE

SHEET:



DRAWING NO.:

REVISION