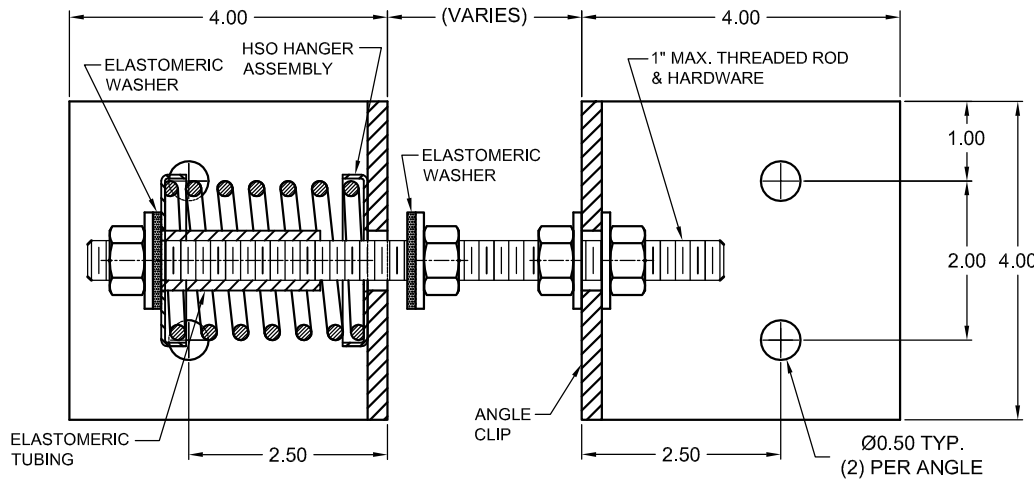
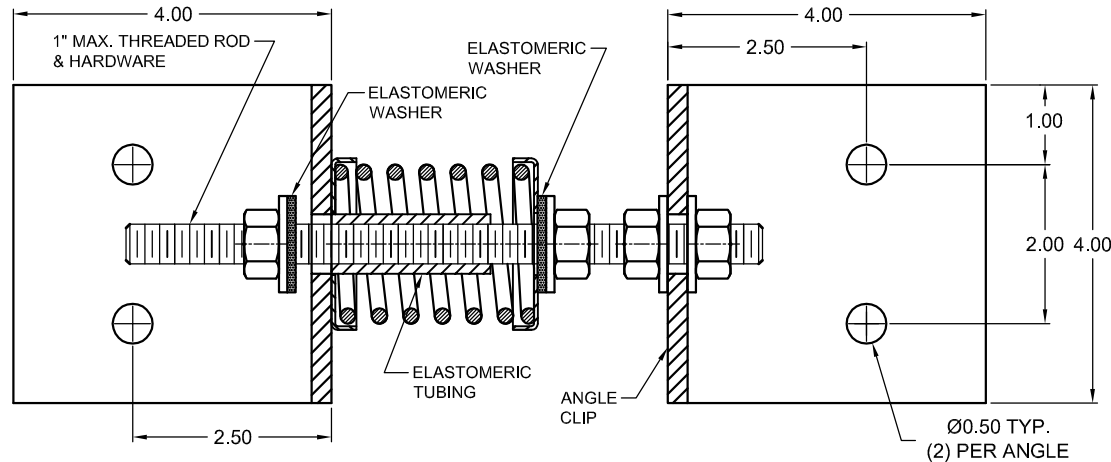


REV.	DESCRIPTION	DATE	BY



EXTERNAL SPRING BRACKET INSTALLATION



INTERNAL SPRING BRACKET INSTALLATION

TYPE TRK-1E THRUST RESTRAINT KIT FOR 1" NOMINAL DEFLECTION				
MODEL	MAX LOAD (LBS)	DEFLECTION (IN)	SPRING RATE (LB/IN)	SPRING COLOR CODE
TRK-1E-390	390	1.95	200	DK BLUE
TRK-1E-800	800	1.32	606	BLACK
TRK-1E-1060N ¹	1060	1.17	906	BLACK/ DK BLUE
TRK-1E-1300	1300	1.05	1240	RED
TRK-1E-1650N ¹	1650	1.07	1542	RED/ DK BLUE
TRK-1E-2000	2000	1.00	2000	TAN
TRK-1E-2400N ¹	2400	1.04	2308	TAN/ DK BLUE
TRK-1E-2800	2800	1.00	2800	PINK
TRK-1E-3400N ¹	3400	1.10	3090	PINK/ DK BLUE
TRK-1E-4000	4000	1.11	3600	WHITE
TRK-1E-5150N ¹	5150	1.11	4640	WHITE/ DK PURPLE
TRK-1E-5980N ¹	5980	1.11	5388	WHITE/ DK GREEN
TRK-1E-6500N ¹	6500	1.04	6250	WHITE/ GRAY

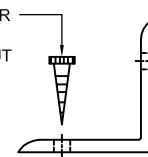
NOTES:

1. TWO NESTED SPRINGS YIELD THIS LOAD. THE COLOR CODE INDICATED IS FOR OUTER SPRING/ INNER SPRING.

NOTES:

- HANGER RODS AND NUTS, AS SHOWN, NOT BY THE VMC GROUP.
- STANDARD FINISH SPRING - POWDER COAT. HARDWARE: ZINC-ELECTROPLATE.
- ALL DIMENSIONS IN INCHES. INTERPRET PER ANSI Y14.
- ALL DIMENSIONS ARE FOR REFERENCE, DIMENSIONS SHOWN AS NOMINAL.
- ALL SPRINGS ARE DESIGNED WITH MINIMUM 50% OVER-TRAVEL.
- SEE DRAWING 135R-101271 FOR HSO CONSTRUCTION.
- THRUST RESTRAINT KIT CONSIST OF 2 ASSEMBLIES, SHIPPED LOOSE, TO BE FIELD ASSEMBLED AS REQUIRED.
- MAX LOAD IS FOR 1 KIT CONSISTS OF (2) ASSEMBLY FIELD BY OTHERS & INSTALLED (NOT BY VMC)**

SELF-TAPPING SCREW FOR 1/2" DIA. HOLE BY OTHERS (BOLT AND NUT FOR 1/2" DIA. HOLE USED WITH TRK-1E ONLY)



MATCHING 1/4" BACKUP PLATE USED ON TRK-1E ONLY
 ANGLE CLIP TOTAL (2) PER BRACKET

OTHER MATERIALS, COMPOUNDS, OR FINISHES WITH EQUAL OR SUPERIOR PROPERTIES MAY BE SUBSTITUTED AS THEY BECOME AVAILABLE.

CERTIFIED FOR:

JOB NAME: _____
 CUSTOMER : _____
 CUSTOMER P.O.: _____
 SALES ORDER: _____

**MODEL TRK 1E KIT 390-6500 LBS.
 THRUST RESTRAINT DETAIL
 1 INCH DEFLECTION**



THE VMC GROUP
The Power of Together
 Bloomingdale, NJ 07403
 Houston, TX 77041

SCALE :

NONE

SHEET:



DRAWING NO.:

REVISION