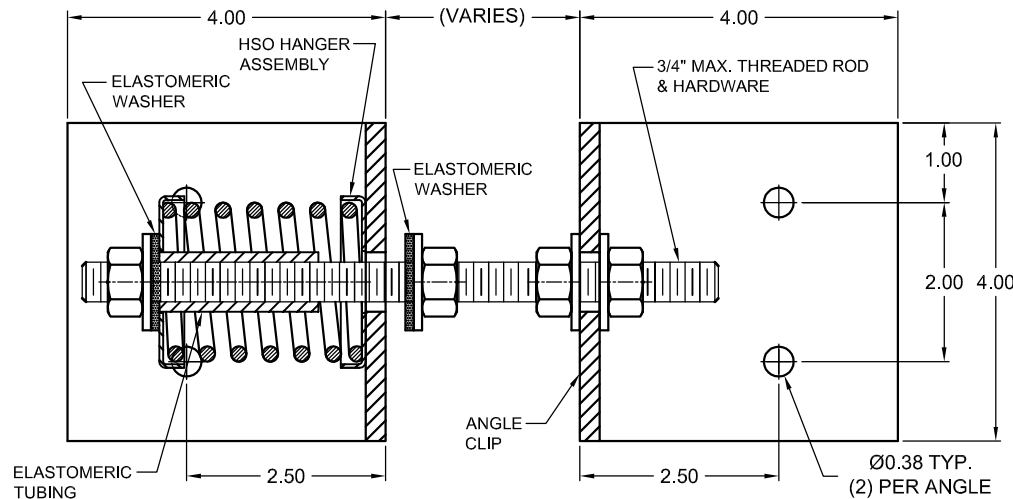
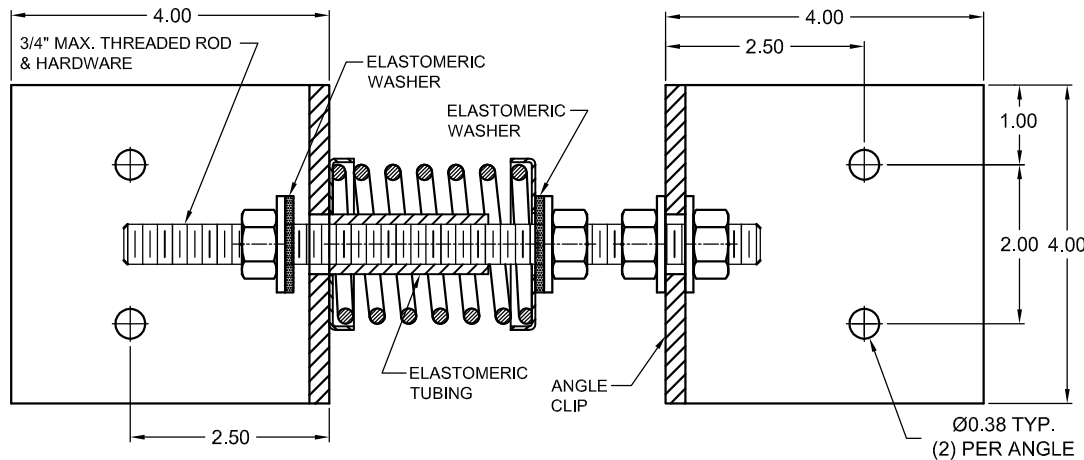


REV.	DESCRIPTION	DATE	BY



EXTERNAL SPRING BRACKET INSTALLATION



INTERNAL SPRING BRACKET INSTALLATION

TYPE TRK-1D THRUST RESTRAINT KIT FOR 1" NOMINAL DEFLECTION				
MODEL	MAX LOAD (LBS)	DEFLECTION (IN)	SPRING RATE (LB/IN)	SPRING COLOR CODE
TRK-1D-170	170	1.35	126	LT PURPLE
TRK-1D-240	240	1.20	200	DK YELLOW
TRK-1D-350	350	1.17	300	DK BLUE
TRK-1D-500	500	1.40	358	YELLOW
TRK-1D-680	680	1.13	600	RED
TRK-1D-1020	1020	1.02	1000	BLACK
TRK-1D-1350	1350	1.33	1016	DK PURPLE
TRK-1D-1800	1800	1.02	1762	DK GREEN
TRK-1D-2400	2400	0.90	2654	GRAY
TRK-1D-2720	2720	0.77	3516	WHITE
TRK-1D-3570 ¹	3570	0.88	4058	GRAY/RED

NOTES:

1. TWO NESTED SPRINGS YIELD THIS LOAD. THE COLOR CODE INDICATED IS FOR OUTER SPRING/ INNER SPRING.

NOTES:

- HANGER RODS AND NUTS, AS SHOWN, NOT BY THE VMC GROUP.
- STANDARD FINISH SPRING - POWDER COAT. HARDWARE: ZINC-ELECTROPLATE.
- ALL DIMENSIONS IN INCHES. INTERPRET PER ANSI Y14.
- ALL DIMENSIONS ARE FOR REFERENCE, DIMENSIONS SHOWN AS NOMINAL.
- ALL SPRINGS ARE DESIGNED WITH MINIMUM 50% OVER-TRAVEL.
- SEE DRAWING 135R-101271 FOR HSO CONSTRUCTION.
- THRUST RESTRAINT KIT CONSIST OF 2 ASSEMBLIES, SHIPPED LOOSE, TO BE FIELD ASSEMBLED AS REQUIRED.

OTHER MATERIALS, COMPOUNDS, OR FINISHES WITH EQUAL OR SUPERIOR PROPERTIES MAY BE SUBSTITUTED AS THEY BECOME AVAILABLE.

CERTIFIED FOR:

JOB NAME: _____
 CUSTOMER : _____
 CUSTOMER P.O.: _____
 SALES ORDER: _____

**MODEL TRK 1D KIT 170-3570 LBS.
 THRUST RESTRAINT DETAIL
 1 INCH DEFLECTION**



THE VMC GROUP
The Power of Together
 Bloomingdale, NJ 07403
 Houston, TX 77041

SCALE :

NONE

SHEET:



DRAWING NO.:

REVISION