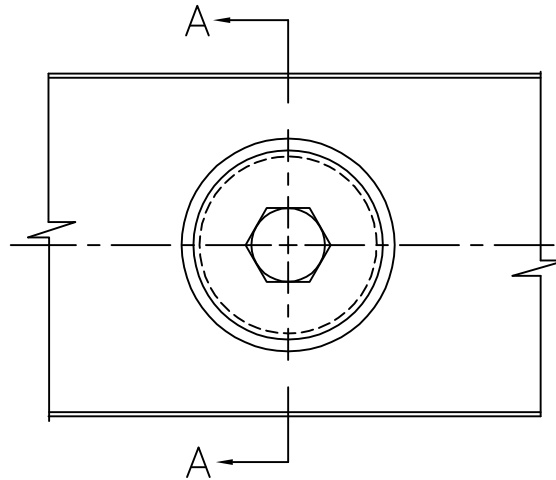
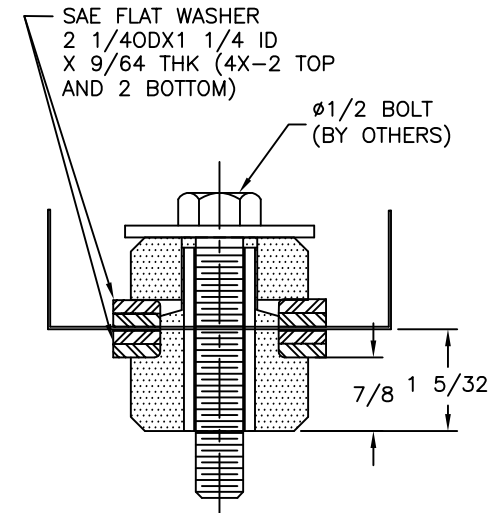
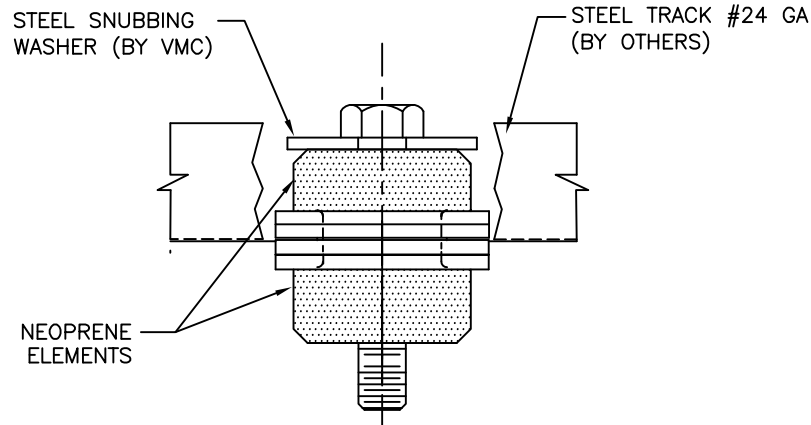


REV.	DESCRIPTION	DATE	BY



MODEL NUMBER	RATED AXIAL LOAD VS DEFLECTION	
	MAX. LOAD	DEFL.
TMRB2-150	150 lbs	.10 in
TMRB2-300	300 lbs	.10 in
TMRB2-500	500 lbs	.10 in



SUBMITTAL DRAWING

NOTE:

1. ALL DIMENSIONS IN INCHES. INTERPRET PER ANSI Y14.

OTHER MATERIALS, COMPOUNDS, OR FINISHES WITH EQUAL OR SUPERIOR PROPERTIES MAY BE SUBSTITUTED AS THEY BECOME AVAILABLE.

**CERTIFIED FOR:**

JOB NAME: \_\_\_\_\_  
 CUSTOMER: \_\_\_\_\_  
 CUSTOMER P.O.: \_\_\_\_\_  
 SALES ORDER: \_\_\_\_\_

**MODEL TMRB2 150-500 LBS.  
 ELASTOMERIC WALL ISOLATOR  
 TRACK MOUNTED RING  
 AND BUSHING**



**THE VMC GROUP**  
*The Power of Together*  
 Bloomingdale, NJ 07403  
 Houston, TX 77041

SCALE:

NONE

SHEET:



DRAWING NO.:

REVISION