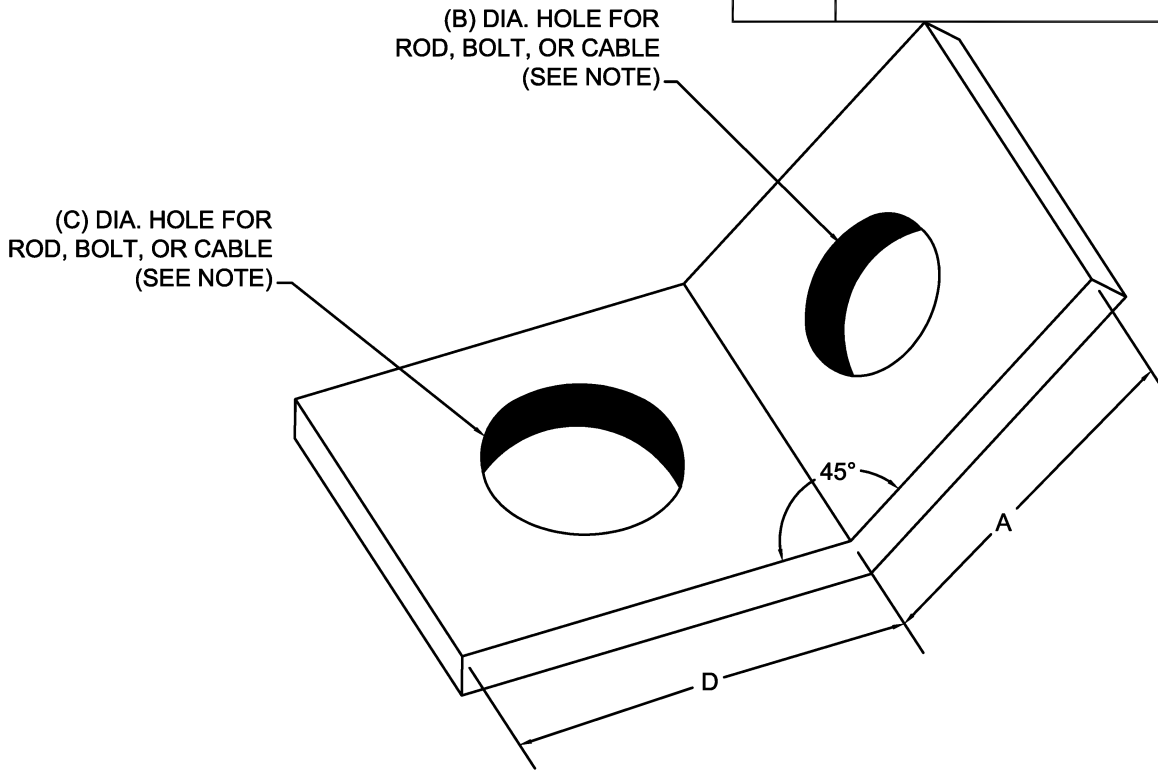


| REV. | DESCRIPTION | DATE | BY |
|------|-------------|------|----|
| | | | |



| BRACKET DESIGNATION | A (IN.) | B (IN.) | C (IN.) | D (IN.) |
|---------------------|---------|---------|---------|---------|
| SRB-0 | 7/8 | 3/8 | 17/32 | 1-1/8 |
| SRB-1 | 1-5/16 | 9/16 | 11/16 | 1-1/2 |
| SRB-2 | 1-3/4 | 11/16 | 7/8 | 2-1/16 |
| SRB-3 | 2-13/16 | 15/16 | 1-1/16 | 3 |

NOTE: HANGER ROD, BOLT, WASHER, AND NUT MAY BE USED IN EITHER HOLE. CABLE LOOP MAY ALSO BE USED IN EITHER HOLE. HANGER ROD OR BOLT SIZE SHOULD BE MAXIMUM THAT FITS HOLE.

NOTE: OTHER MATERIALS, COMPOUNDS, OR FINISHES WITH EQUAL OR SUPERIOR PROPERTIES MAY BE SUBSTITUTED AS THEY BECOME AVAILABLE.



CERTIFIED FOR:
 JOB NAME: _____
 CUSTOMER : _____
 CUSTOMER P.O.: _____
 SALES ORDER: _____

TYPE SRB SEISMIC ANCHOR BRACKET



THE VMC GROUP
The Power of Together
 Bloomingdale, NJ 07403
 Houston, TX 77041

SCALE :
 NONE
 SHEET:



DRAWING NO.: _____ REVISION