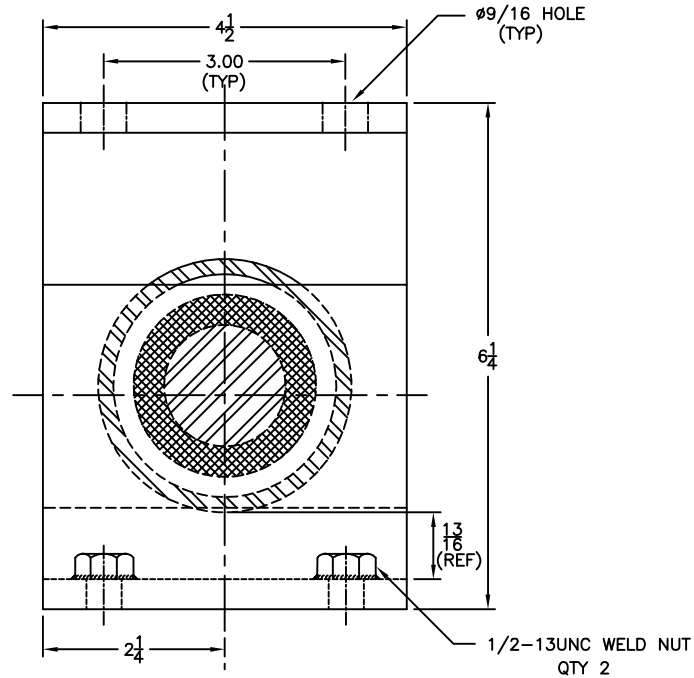
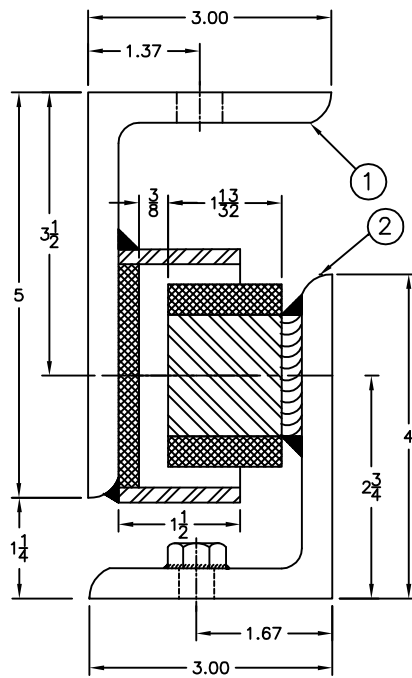


196R-103431 REV.: 2

PART NUMBER	DESCRIPTION
301070-1	AS SHOWN
301070-2	SHEET 2

REV.	DESCRIPTION	DATE	BY



NOTES:

1. FINISH: ONE (1) COAT WATER REDUCIBLE GRAY PAINT.

QTY	ITEM NO.	PART NUMBER	DESCRIPTION	REMARKS
1	2	520465-1	SR-2 SUB ASSEMBLY # 2	
1	1	520464-1	SR-2 SUB ASSEMBLY # 1	

LIST OF MATERIALS

OTHER MATERIALS, COMPOUNDS, OR FINISHES WITH EQUAL OR SUPERIOR PROPERTIES MAY BE SUBSTITUTED AS THEY BECOME AVAILABLE.

CERTIFIED FOR:

JOB NAME: _____
 CUSTOMER : _____
 CUSTOMER P.O.: _____
 SALES ORDER: _____

**MODEL SR2
 SEISMIC SNUBBER RESTRAINT**



THE VMC GROUP
The Power of Together
 Bloomingdale, NJ 07403
 Houston, TX 77041

SCALE :

NONE

SHEET:



DRAWING NO.:

REVISION