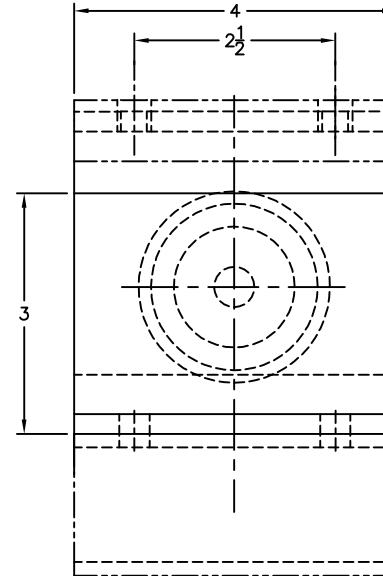
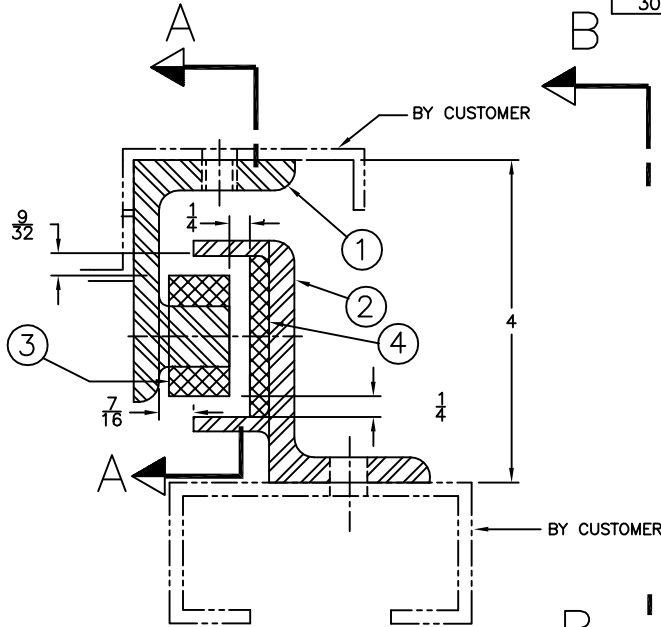


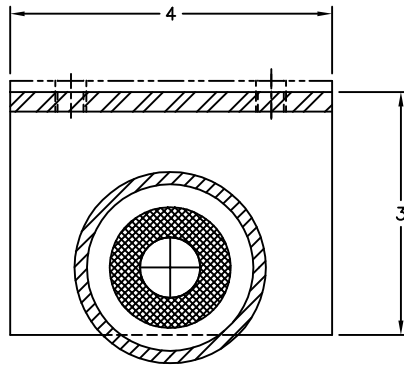
196R-103429 REV: 2

PART NUMBER	DESCRIPTION
301069-1	AS SHOWN

REV.	DESCRIPTION	DATE	BY



VIEW B-B



SECTION A-A

1	4	100155-1	SNUBBER, 2" DIA. X1/4 THK (GLUE AS REQUIRED)
1	3	100150-1	SNUBBER, 3/4 I.D. X 1 1/2 OD X3/4 LG
1	2	550064-2	RESTRAINT CAST SUB-ASSY #2
1	1	550063-2	RESTRAINT CAST SUB-ASSY #1
QTY	ITEM NO.	PART NUMBER	DESCRIPTION

LIST OF MATERIALS

OTHER MATERIALS, COMPOUNDS, OR FINISHES WITH EQUAL OR SUPERIOR PROPERTIES MAY BE SUBSTITUTED AS THEY BECOME AVAILABLE.

**CERTIFIED FOR:**

JOB NAME: \_\_\_\_\_  
 CUSTOMER : \_\_\_\_\_  
 CUSTOMER P.O.: \_\_\_\_\_  
 SALES ORDER: \_\_\_\_\_

**MODEL SR1  
 SEISMIC SNUBBER RESTRAINT**



**THE VMC GROUP**  
*The Power of Together*  
 Bloomingdale, NJ 07403  
 Houston, TX 77041

SCALE:

NONE

SHEET:



DRAWING NO.:

REVISION