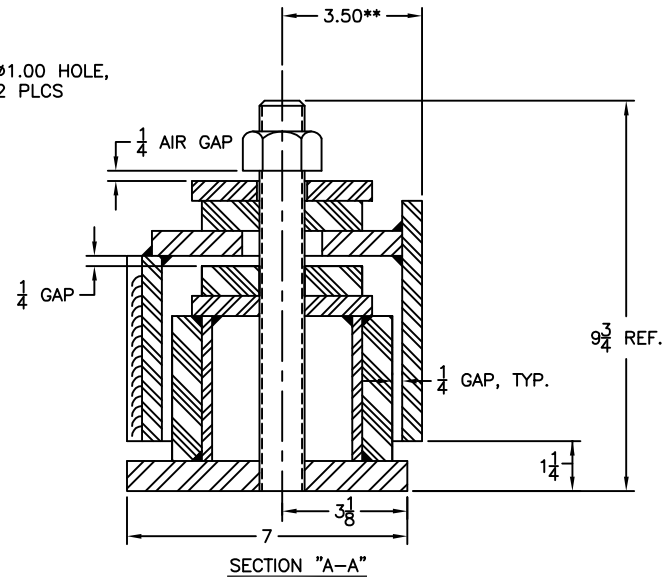
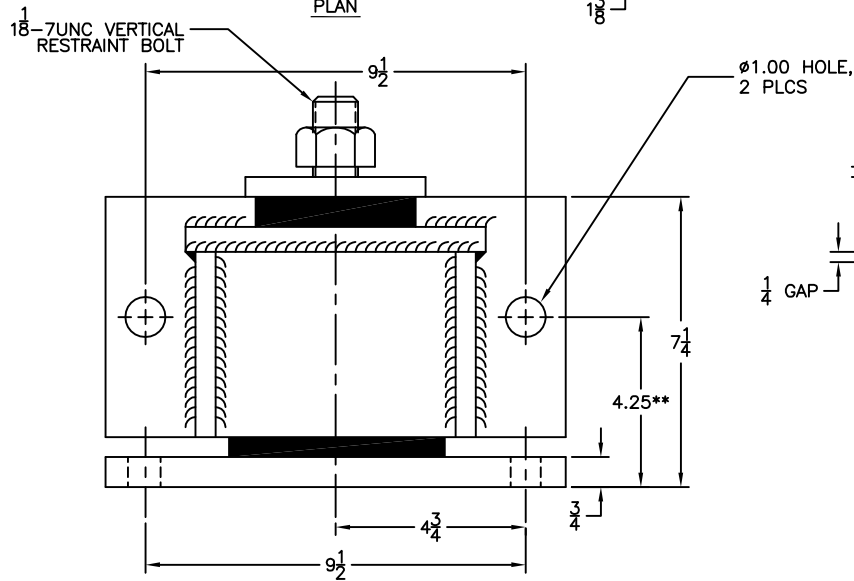
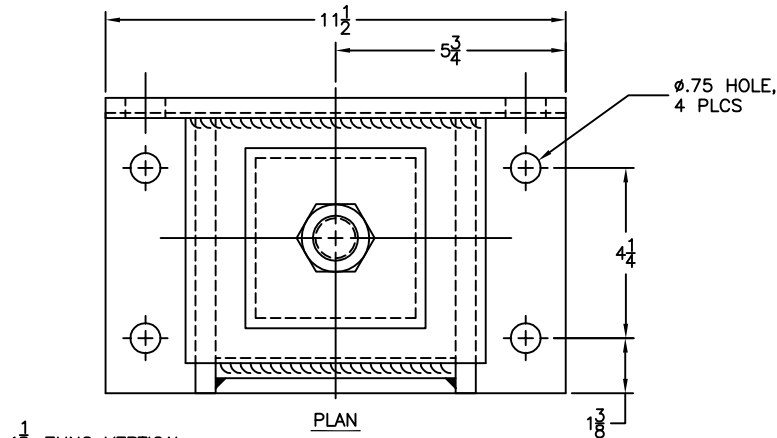


196R-103439 REV.: 2

PART NUMBER	DESCRIPTION
630596-1	AS SHOWN - PAINTED HOUSING
630596-1G	HOT-DIPPED GALVANIZED IN LIEU OF PAINT

REV.	DESCRIPTION	DATE	BY



- NOTES:
1. ALL DIRECTIONAL CAPACITY: 7500 LBS
  2. DYNAMIC STIFFNESS: 60,000 LBS/INCH
  3. AIR GAP:  $\frac{1}{4}$ " IN ALL DIRECTIONS
  4. DIMENSIONS MARKED WITH DOUBLE ASTERICKS (\*\*) MUST BE HELD TO  $\pm 1/16$  AT INSTALLATION. SHIM OR GROUT AS NECESSARY.
  5. APPROXIMATE UNIT WEIGHT: 62 LBS

OTHER MATERIALS, COMPOUNDS, OR FINISHES WITH EQUAL OR SUPERIOR PROPERTIES MAY BE SUBSTITUTED AS THEY BECOME AVAILABLE.

**CERTIFIED FOR:**

JOB NAME: \_\_\_\_\_

CUSTOMER : \_\_\_\_\_

CUSTOMER P.O.: \_\_\_\_\_

SALES ORDER: \_\_\_\_\_

**MODEL SR-7500  
SEISMIC SNUBBER RESTRAINT**



**THE VMC GROUP**  
The Power of Together  
Bloomington, NJ 07403  
Houston, TX 77041

SCALE:

NONE

SHEET:



DRAWING NO.:

REVISION