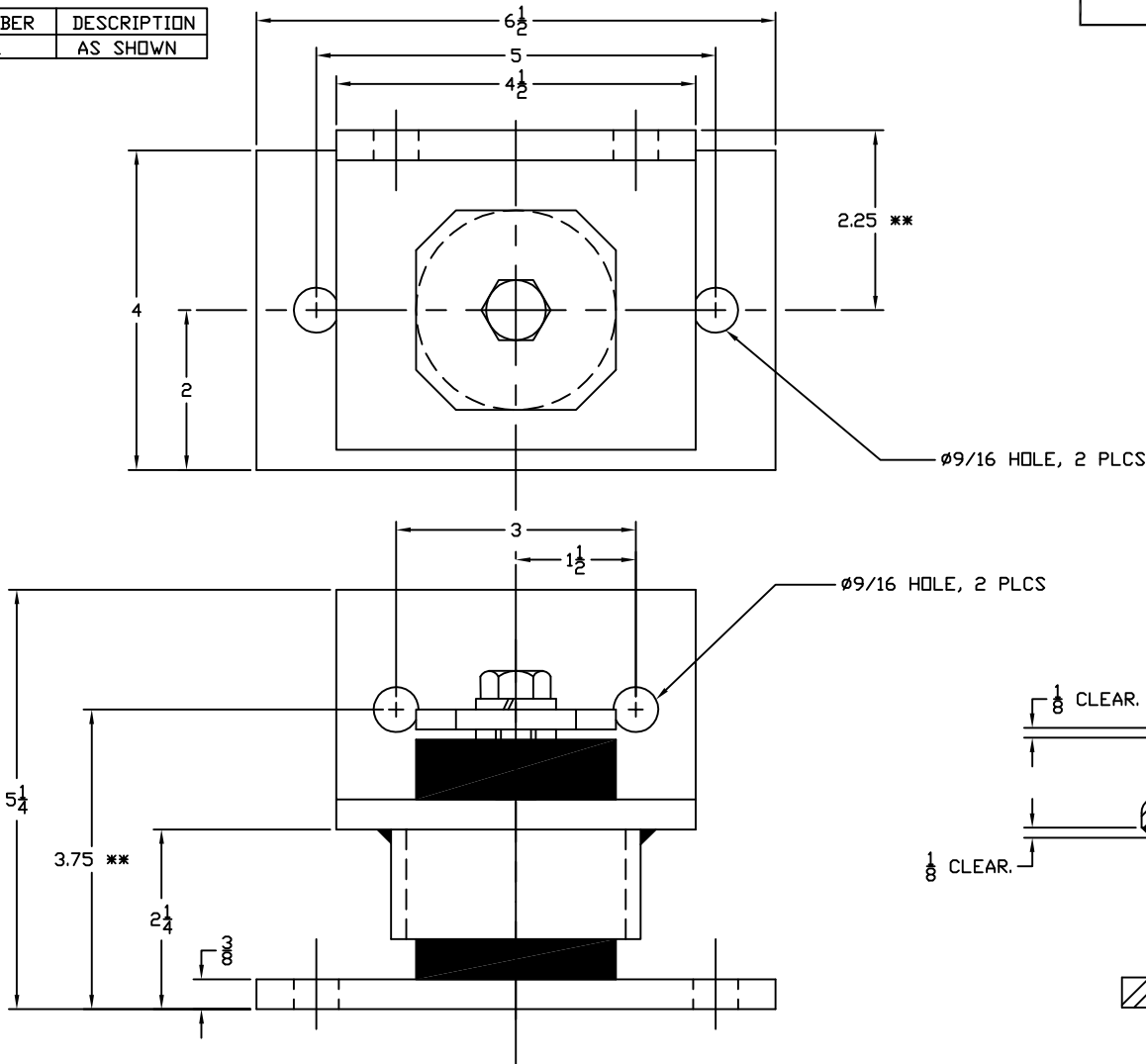


196R-103437 REV.: 2

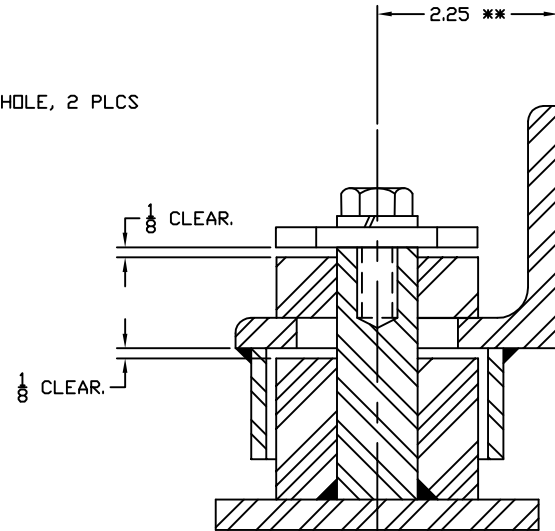
PART NUMBER	DESCRIPTION
630551	AS SHOWN

REV.	DESCRIPTION	DATE	BY



HOLD DIMENSIONS MARKED (***) TO ±1/32 AT INSTALLATION.

ESTIMATED UNIT WEIGHT: 8.2 LBS



OTHER MATERIALS, COMPOUNDS, OR FINISHES WITH EQUAL OR SUPERIOR PROPERTIES MAY BE SUBSTITUTED AS THEY BECOME AVAILABLE.

CERTIFIED FOR:

JOB NAME: _____
 CUSTOMER : _____
 CUSTOMER P.O.: _____
 SALES ORDER: _____

**MODEL SR-750
 SEISMIC SNUBBER RESTRAINT**



THE VMC GROUP
The Power of Together
 Bloomingdale, NJ 07403
 Houston, TX 77041

SCALE :

NONE

SHEET:



DRAWING NO.:

630551

REVISION