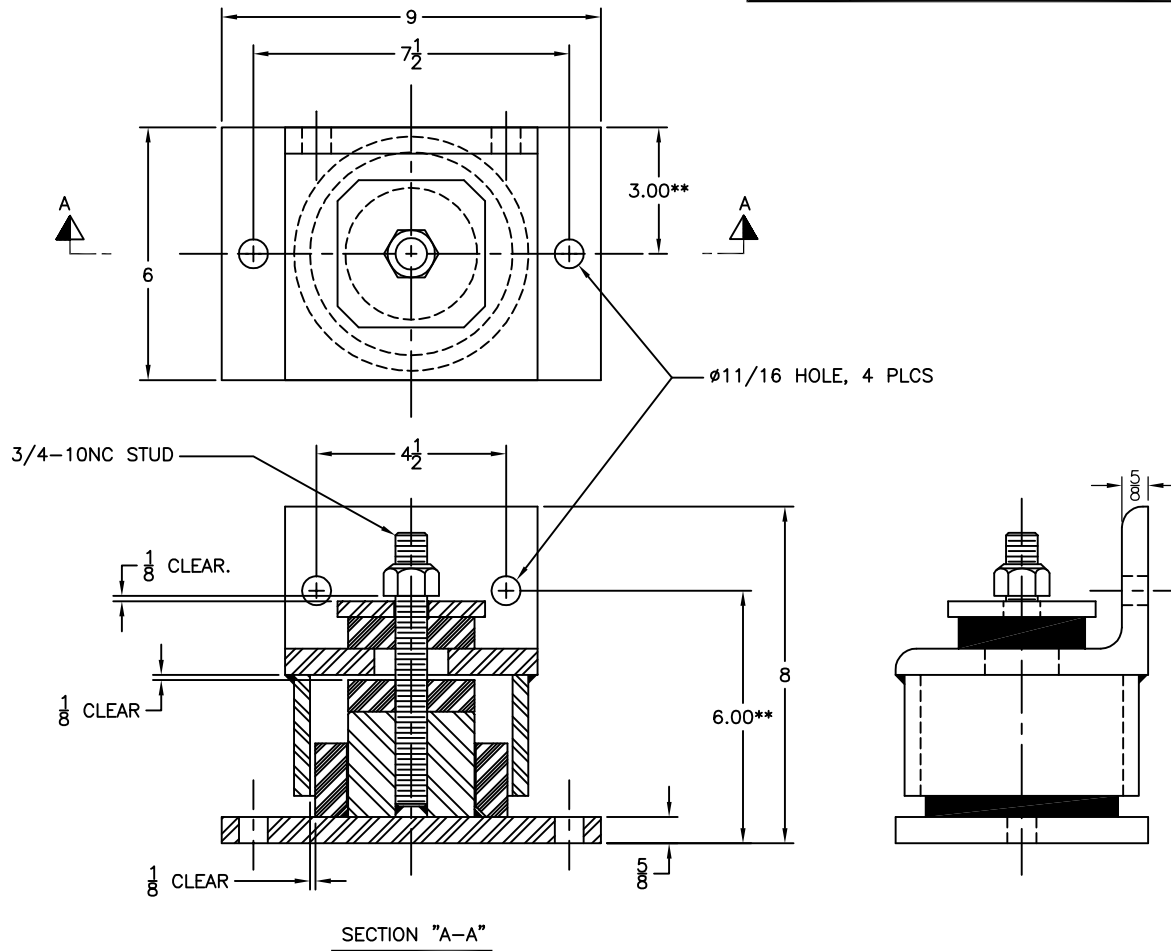


196R-103436 REV.: 3

PART NUMBER	DESCRIPTION
630586-1	AS SHOWN

REV.	DESCRIPTION	DATE	BY



NOTES:

1. STANDARD FINISH:
 - A. HOUSING: PAINTED, GALVANIZED AVAILABLE ON SPECIAL ORDER
 - B. HARDWARE: ELECTRO ZINC PLATED
4. ALL DIMENSIONS IN INCHES. INTERPRET PER ANSI Y14.
5. ALL DIMENSIONS ARE FOR REFERENCE, DIMENSIONS SHOWN AS NOMINAL.
6. RESTARINT APPROXIMATE UNIT WEIGHT: 38 LBS
7. HOLD DIMENSIONS MARKED (**) TO ± 1/32 AT INSTALLATION.

OTHER MATERIALS, COMPOUNDS, OR FINISHES WITH EQUAL OR SUPERIOR PROPERTIES MAY BE SUBSTITUTED AS THEY BECOME AVAILABLE.

CERTIFIED FOR:

JOB NAME: _____
 CUSTOMER : _____
 CUSTOMER P.O.: _____
 SALES ORDER: _____

**MODEL SR-3000
 SEISMIC SNUBBER RESTRAINT**



THE VMC GROUP
The Power of Together
 Bloomingdale, NJ 07403
 Houston, TX 77041

SCALE :

NONE

SHEET:



DRAWING NO.:

REVISION