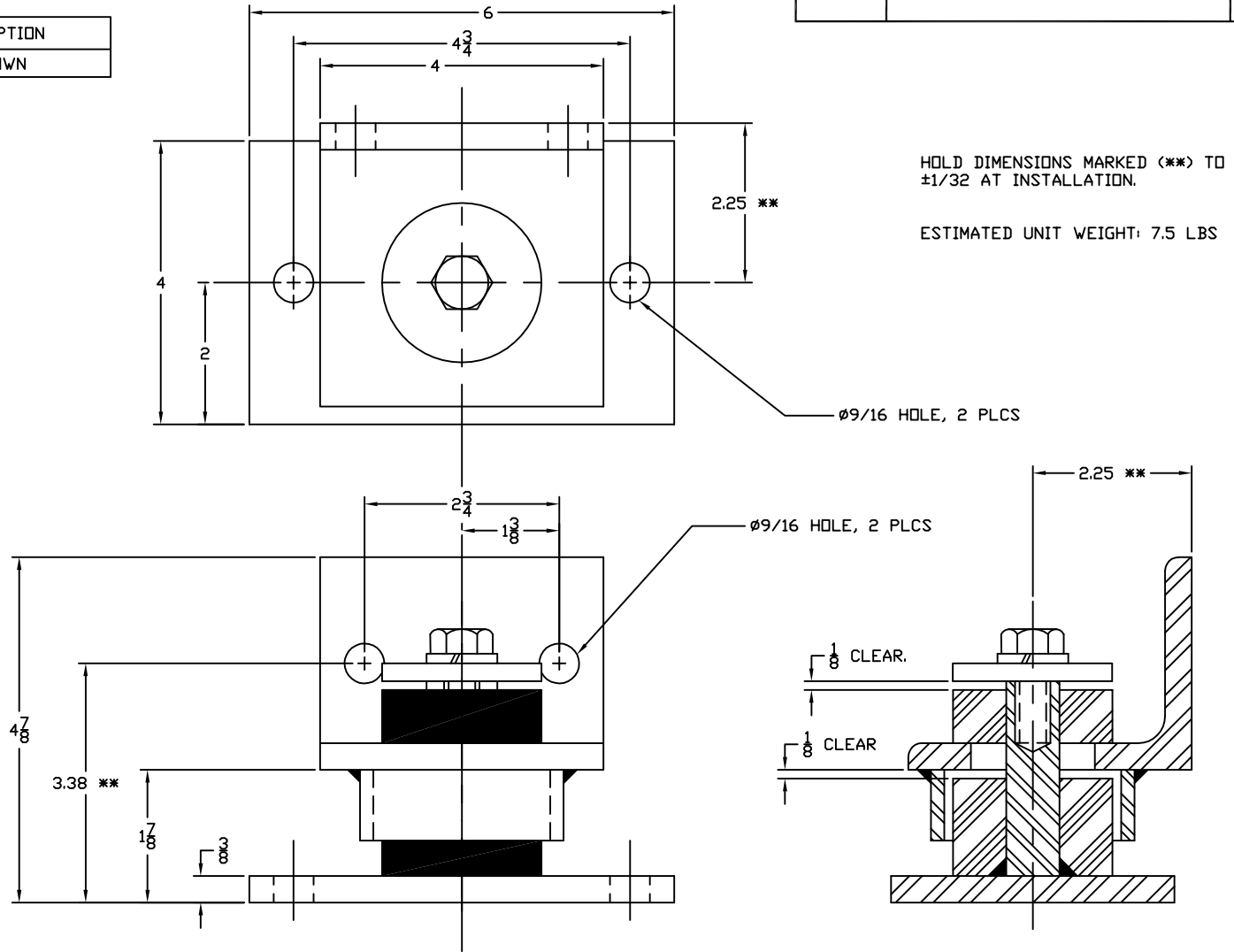


196R-103434 REV.: 2

PART NUMBER	DESCRIPTION
630543	AS SHOWN

REV.	DESCRIPTION	DATE	BY



HOLD DIMENSIONS MARKED (***) TO ±1/32 AT INSTALLATION.

ESTIMATED UNIT WEIGHT: 7.5 LBS

OTHER MATERIALS, COMPOUNDS, OR FINISHES WITH EQUAL OR SUPERIOR PROPERTIES MAY BE SUBSTITUTED AS THEY BECOME AVAILABLE.

CERTIFIED FOR:

JOB NAME: _____
 CUSTOMER : _____
 CUSTOMER P.O.: _____
 SALES ORDER: _____

**MODEL SR-250
 SEISMIC SNUBBER RESTRAINT**



THE VMC GROUP
The Power of Together
 Bloomingdale, NJ 07403
 Houston, TX 77041

SCALE :

NONE

SHEET:



DRAWING NO.:

REVISION