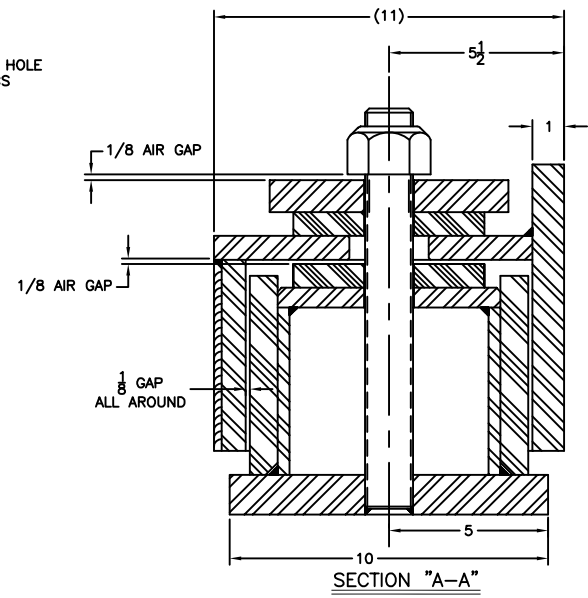
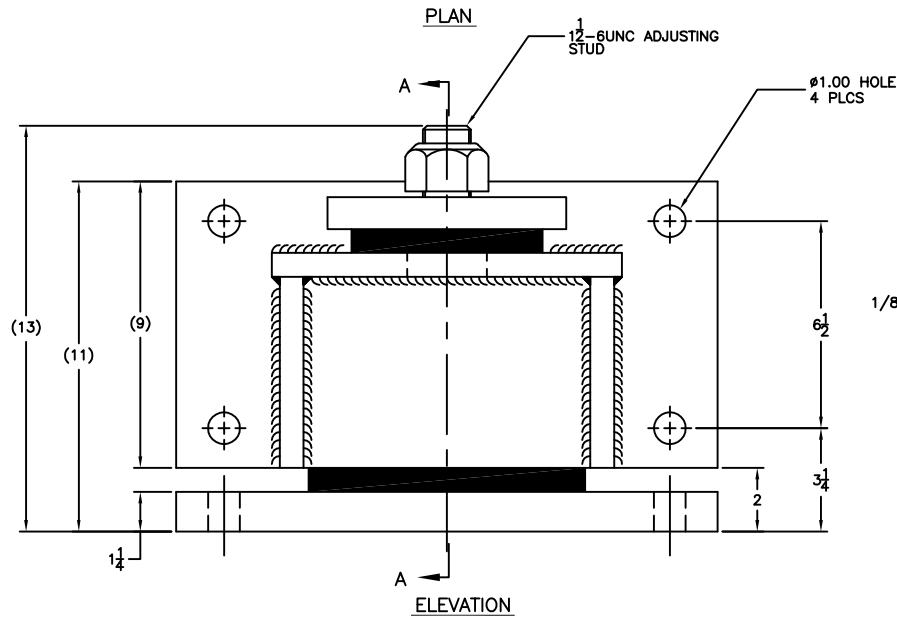
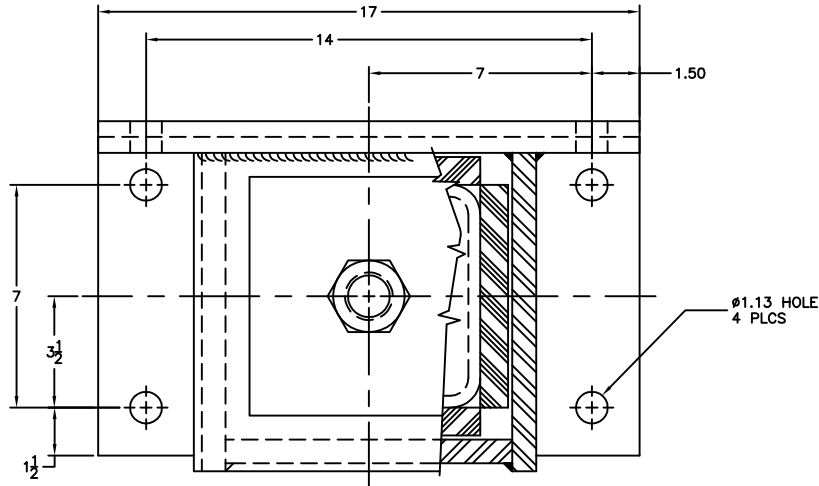


196R-103430 REV.: 2

| PART NUMBER | DESCRIPTION |
|-------------|-------------|
| 630624      | AS SHOWN    |

| REV. | DESCRIPTION | DATE | BY |
|------|-------------|------|----|
|      |             |      |    |



OTHER MATERIALS, COMPOUNDS, OR FINISHES WITH EQUAL OR SUPERIOR PROPERTIES MAY BE SUBSTITUTED AS THEY BECOME AVAILABLE.

**CERTIFIED FOR:**

JOB NAME: \_\_\_\_\_

CUSTOMER : \_\_\_\_\_

CUSTOMER P.O.: \_\_\_\_\_

SALES ORDER: \_\_\_\_\_

**MODEL SR-12000  
SEISMIC SNUBBER RESTRAINT**



**THE VMC GROUP**  
The Power of Together  
Bloomingdale, NJ 07403  
Houston, TX 77041

SCALE :  
**NONE**

SHEET:



DRAWING NO.: \_\_\_\_\_

REVISION