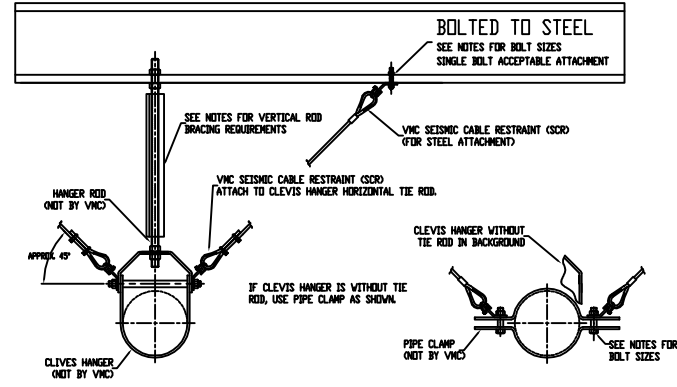
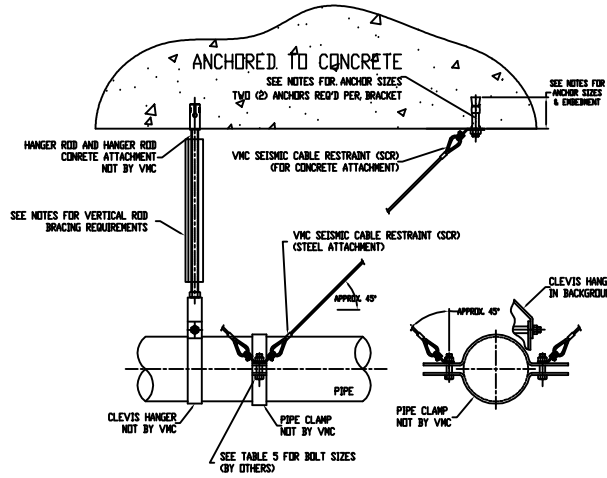


REV.	DESCRIPTION	DATE	BY



TRANSVERSE & LONGITUDINAL BRACING

TRANSVERSE BRACING

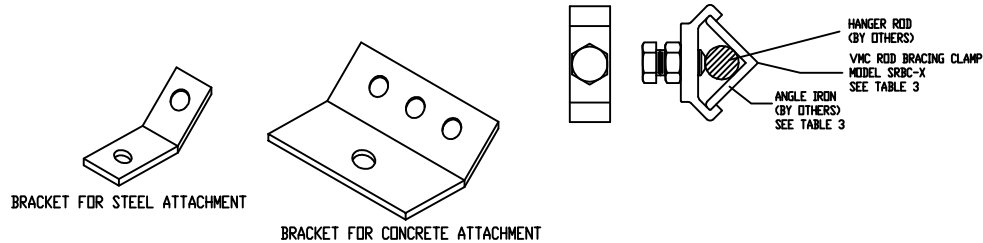
TABLE 6

PART DESCRIPTION	VMC MODEL NO.	VMC PART NO.	ATTACHMENT TO CLEVIS HANGER / PIPE CLAMP / TRAPEZE	ATTACHMENT TO STRUCTURAL STEEL QTY. & BOLT SIZE PER BRACKET	STRUCTURAL ATTACHMENT TO CONCRETE		
					QTY. & ANCHOR SIZE PER BRACKET	EMBEDMENT DEPTH (MIN.)	MIN. EDGE DISTANCE
VMC SEISMIC CABLE RESTRAINT SYSTEM - FOR STEEL ATTACHMENTS	3/8" SCR	140400-37	(1) 1" ASTM A-307 BOLT	(1) 1" ASTM A-307 BOLT	NOT FOR USE IN CONCRETE		
VMC SEISMIC CABLE RESTRAINT SYSTEM - FOR CONCRETE ATTACHMENTS HILTI HIT HY-150 ADHESIVE ANCHORS, OR EQUIV., MUST BE USED	3/8" SCR	140400-37	(1) 1" ASTM A-307 BOLT	N/A	(2) 1" DIA CONCRETE ANCHORS	6 INCHES	12-1/2 INCHES

NOTES:  
 1) IF THE DISTANCE BETWEEN THE BUILDING STRUCTURE AND THE TOP OF THE CLEVIS, WHERE THE RODS ARE ATTACHED, IS GREATER THAN 25 INCHES, ADD VERTICAL ROD STIFFENERS OF 1"x10"x1/4" STEEL ANGLE CLAMPED TO THE ROD THE ENTIRE DISTANCE BETWEEN THE SUPPORT STRUCTURE AND THE CLEVIS.  
 2) SCR RESTRAINTS MAY ONLY ATTACH TO FLOORING, CEILING OR WALL AS LONG AS THE ATTACHMENT IS TO STRUCTURAL STEEL OR CONCRETE.  
 3) SCR RESTRAINTS MUST BE ATTACHED DIRECTLY TO THE PIPE AT THE SPECIFIED LOCATIONS. ATTACHMENT OF THE CABLE TO THE TRAPEZE SUPPORT, CLEVIS, OR FLOOR SUPPORT IS ACCEPTABLE ONLY IF THE ABOVE MENTIONED SUPPORT IS RESILIENTLY ATTACHED TO THE PIPE.  
 4) INSTALL THE SCR WITHIN 2 FEET IN EITHER DIRECTION OF THE INDICATED LOCATION.  
 5) ON A RUN, THAT ENTIRE RUN MUST BE RESTRAINED.  
 6) INSTALL CABLES TAUGHT FOR NON-ISOLATED PIPE AND SLIGHTLY SLACK FOR AN ISOLATED RUN.  
 7) ONE KIT CONTAINS (2) 11 FT. CABLES, (2) BRACKETS FOR CONCRETE, (2) BRACKETS FOR STEEL, AND RELATED HARDWARE FOR THE ATTACHMENT OF THE CABLE TO THE BRACKETS.

TABLE 3

VERTICAL ROD STIFFENER INSTALLATION DETAILS					MIN. NO. CLAMPS PER STIFFENER
ROD DIA. (IN.)	HANGER RODS OVER	STEEL ANGLE SIZE (INCHES)	VMC ROD BRACING CLAMP MODEL NO.	CLAMP SPACING	
3/8	20	1 x 1 x 1/4	SRBC - 1	16"	2
1/2	25	1 x 1 x 1/4	SRBC - 1	20"	2
5/8	31	1 x 1 x 1/4	SRBC - 1	12"	3
3/4	37	1.5 x 1.5 x 1/4	SRBC - 1 1/2	16"	3
7/8	43	1.5 x 1.5 x 1/4	SRBC - 1 1/2	12"	4
1	50	1.5 x 1.5 x 1/4	SRBC - 1 1/2	16"	4
1 1/8	62	1.5 x 1.5 x 1/4	SRBC - 1 1/2	20"	4



OTHER MATERIALS, COMPOUNDS, OR FINISHES WITH EQUAL OR SUPERIOR PROPERTIES MAY BE SUBSTITUTED AS THEY BECOME AVAILABLE.

CERTIFIED FOR:

JOB NAME: \_\_\_\_\_  
 CUSTOMER: \_\_\_\_\_  
 CUSTOMER P.O.: \_\_\_\_\_  
 SALES ORDER: \_\_\_\_\_

MODEL SCR  
 SEISMIC CABLE RESTRAINT  
 INSTALLATION



**THE VMC GROUP**  
 The Power of Together  
 Bloomingdale, NJ 07403  
 Houston, TX 77041

SCALE: NONE	
SHEET:	
DRAWING NO.:	REVISION