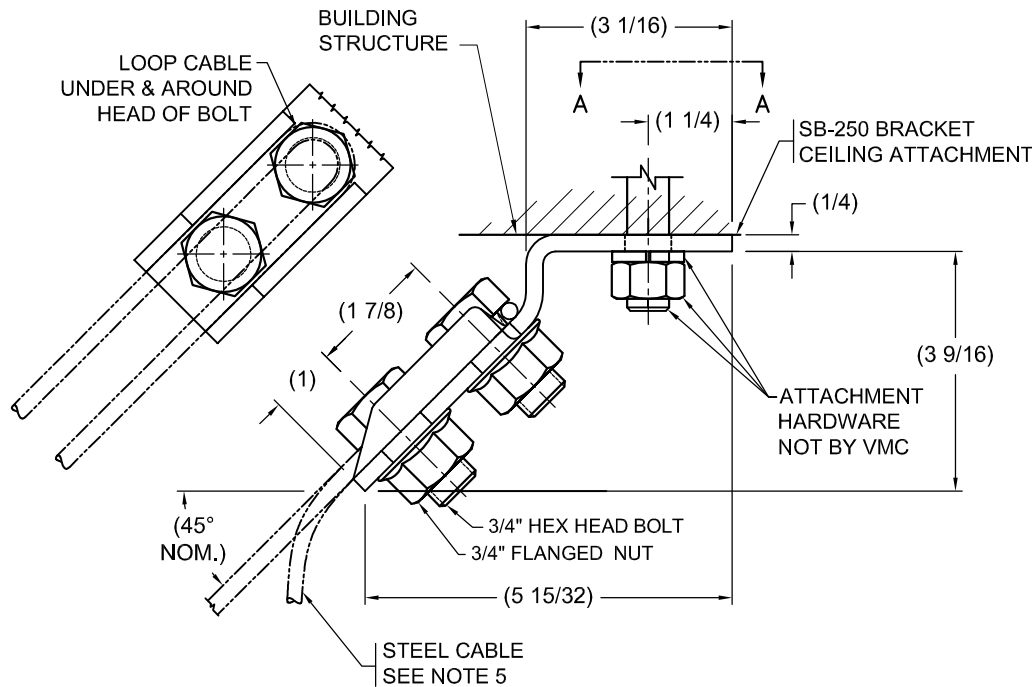
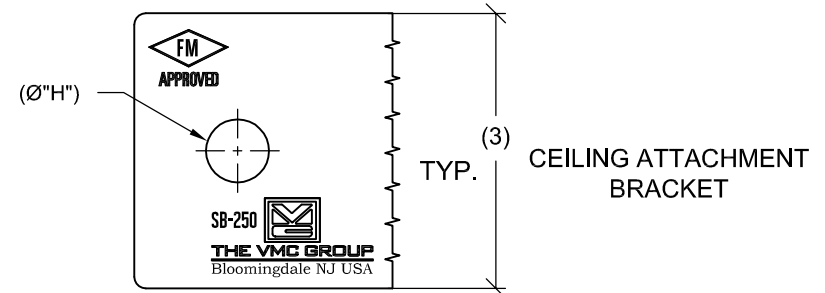


REV.	DESCRIPTION	DATE	BY



KIT PART NUMBER	"S"	"H"	COLOR CODE	MAX. TENSION ALLOWABLE	KIT TYPE
SB-250-01	15/16"	11/16"	CLEAR ZINC COATED	4020 LBS.	SLOT/HOLE
SB-250-02	-	11/16"	CLEAR ZINC COATED	4400 LBS.	HOLE

ALL RATING AT 45° FOR STEEL ATTACHMENT (LRFD)



VIEW A-A


**NOTES:**

- 1) MATERIAL: COLD ROLLED STEEL
- 2) HARDWARE & BRACKETS ZINC ELECTROPLATE
- 3) FIELD TORQUE 3/4" LOCK NUTS TO 100 FT.-LBS.
- 4) SB-250 KITS:
  - SB-250-01 KIT CONSISTS OF:
    - 2- 11/16 HOLED BRACKETS, 2- 15/16 SLOTTED BRACKETS
    - 8 BOLTS, 8 SERRATED FLANGE NUTS
  - SB-250-02 KIT CONSISTS OF:
    - 4 -11/16 HOLED BRACKETS
    - 8 BOLTS, 8 SERRATED FLANGE NUTS
- 5) 1/4" CABLE SOLD SEPARATELY PN:140360-25.
- 6) ALLOWABLE ANCHORAGE TO CONCRETE TO BE CALCULATED ON A JOB BASIS.

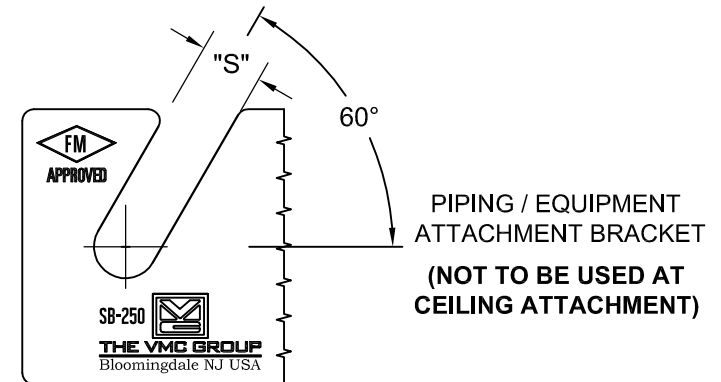
**APPROVED**  
Fixed Equipment Anchorage  
Office of Statewide Health Planning and Development

**OPA-1262**

on



*Anthony R. Pike*  
Anthony R. Pike (918) 654-3352



ALTERNATE VIEW A-A

OTHER MATERIALS, COMPOUNDS, OR FINISHES WITH EQUAL OR SUPERIOR PROPERTIES MAY BE SUBSTITUTED AS THEY BECOME AVAILABLE.

**CERTIFIED FOR:**

JOB NAME: \_\_\_\_\_

CUSTOMER: \_\_\_\_\_


CUSTOMER P.O.: \_\_\_\_\_

SALES ORDER: \_\_\_\_\_

**MODEL SB-250 4020-4400 LBS.  
SEISMIC CABLE RESTRAINT KIT**



**THE VMC GROUP**  
The Power of Together  
Bloomingdale, NJ 07403  
Houston, TX 77041

SCALE:	NONE	
SHEET:		
DRAWING NO.:		REVISION