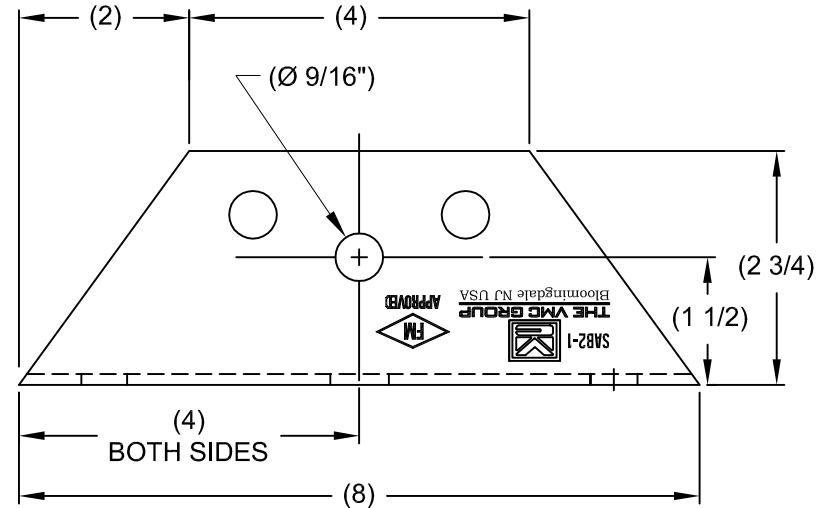
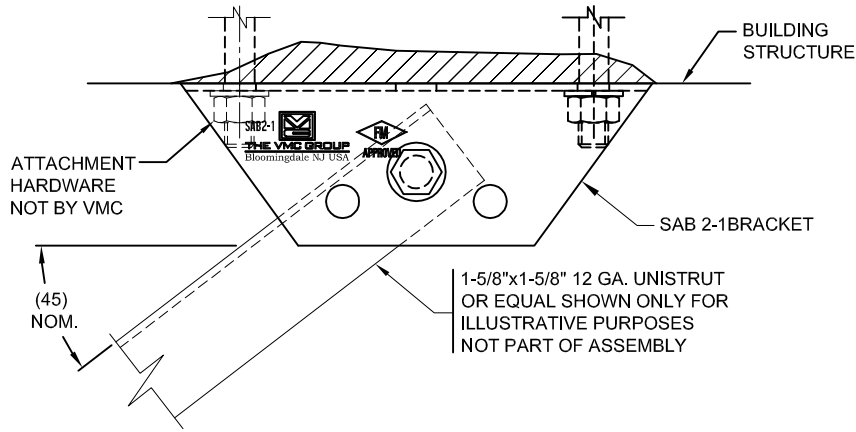


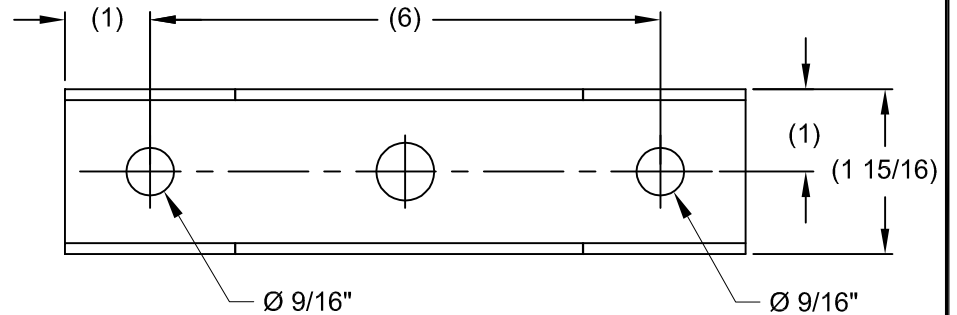
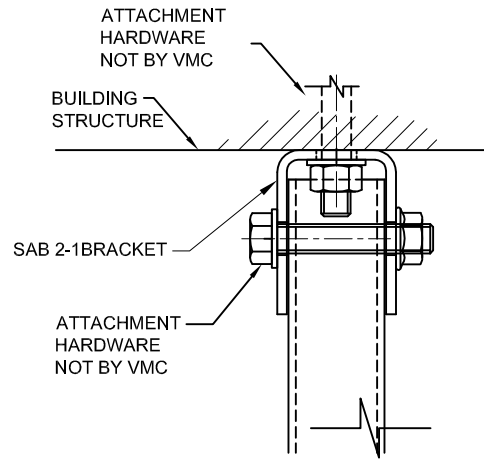
REV.	DESCRIPTION	DATE	BY

PART NUMBER	MAX. TENSION ALLOWABLE
590008-1	7255 LBS.

ALL RATING AT 45° FOR STEEL ATTACHMENT (LRFD)



SIDE VIEW



TOP VIEW

OTHER MATERIALS, COMPOUNDS, OR FINISHES WITH EQUAL OR SUPERIOR PROPERTIES MAY BE SUBSTITUTED AS THEY BECOME AVAILABLE.

APPROVED
 Fixed Equipment Anchorage
 Office of Statewide Health Planning and Development
OPA-1262
 on
Anthony R. Pike
 Anthony R. Pike (918) 854-3362

NOTES:

- 1) MATERIAL: COLD ROLLED STEEL
- 2) ALL DIMENSIONS IN () ARE FOR REFERENCE ONLY.
- 3) ALLOWABLE ANCHORAGE TO CONCRETE TO BE CALCULATED ON A JOB BASIS.
- 4) STRUT LENGTH LIMITATION DUE TO BUCKING.

CERTIFIED FOR:

JOB NAME: _____
 CUSTOMER : _____
 CUSTOMER P.O.: _____
 SALES ORDER: _____

**MODEL SAB2 7255 LBS. SEISMIC BRACKET
 RESTRAINT FOR UNISTRUT**



THE VMC GROUP
 The Power of Together
 Bloomingdale, NJ 07403
 Houston, TX 77041

SCALE :

NONE

SHEET:



DRAWING NO.:

REVISION