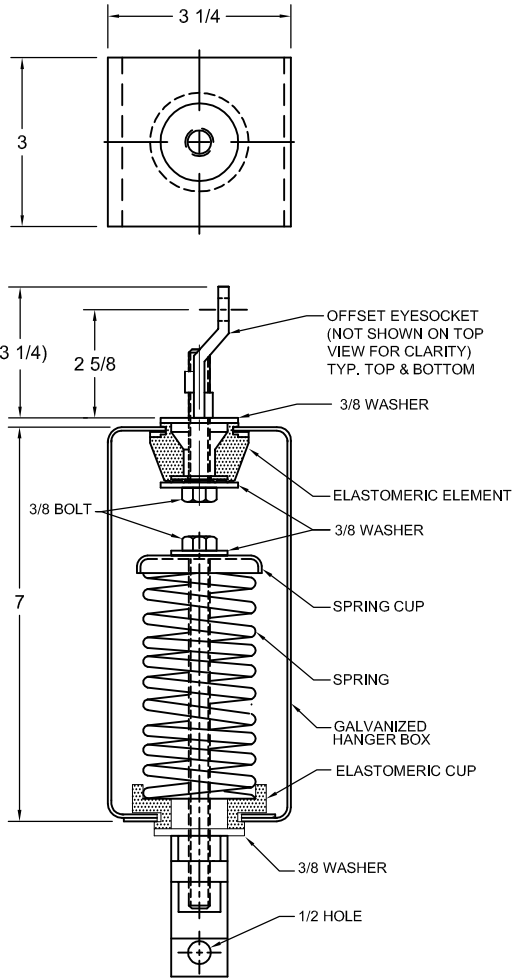
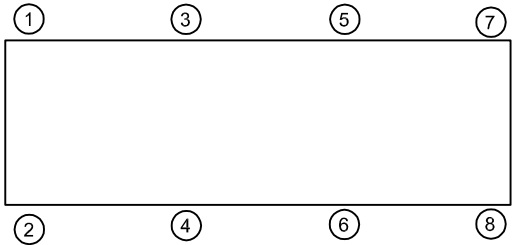


REV.	DESCRIPTION	DATE	BY



MODEL RSHSC-2Q ELASTOMERIC & SPRING HANGER 2" DEFLECTION				
HANGER	RATED LOAD (LBS)	RATED DEFLECTION	SPRING RATE (LBS/IN)	COLOR CODE
RSHSC-2Q-90	90	2.00	45	DK. BLUE
RSHSC-2Q-110	110	1.89	60	BLACK
RSHSC-2Q-140	140	1.59	88	RED
RSHSC-2Q-195	195	1.57	125	DK. GREEN
RSHSC-2Q-240	240	1.47	165	GRAY
RSHSC-2Q-340	340	1.50	225	YELLOW
RSHSC-2Q-450	450	1.51	300	ORANGE



- NOTES:**
- STANDARD FINISH: HANGER BOX; GALVANIZED STEEL, SPRING - POWDER COAT.
  - ALL DIMENSIONS IN INCHES. INTERPRET PER ANSI Y14.
  - ALL DIMENSIONS ARE FOR REFERENCE, DIMENSIONS SHOWN AS NOMINAL.
  - ALL SPRINGS ARE DESIGNED WITH MINIMUM 50% OVER-TRAVEL.
  - HANGER BOXES ARE AVAILABLE PRE-COMPRESSED UP TO THEIR DESIGNATED MAX. LOAD. PERCENTAGE OF PRE-COMPRESSION TO BE DETERMINED BY ENGINEERED APPLICATION OR AS REQUESTED BY CUSTOMER. CONSULT FACTORY FOR POSSIBLE ADDITIONAL PARAMETERS AND OR LIMITATIONS.
  - HANGER BOXES WITH AN ELASTOMERIC ELEMENT HAVE UP TO AN ADDITIONAL 1/2" NOMINAL DEFLECTION.
  - SOME ASSEMBLIES MAY INCLUDE ADDITIONAL OR VARIOUS SIZE WASHERS.

ISOLATOR SELECTIONS	
LOC 1:	LOC 2:
LOC 3:	LOC 4:
LOC 5:	LOC 6:
LOC 7:	LOC 8:
CUSTOMER EQP'T. TAG:	

NOTE: MATERIAL SHOWN IS FOR (1) SET.

OTHER MATERIALS, COMPOUNDS, OR FINISHES WITH EQUAL OR SUPERIOR PROPERTIES MAY BE SUBSTITUTED AS THEY BECOME AVAILABLE.

**CERTIFIED FOR:**

JOB NAME: \_\_\_\_\_

CUSTOMER: \_\_\_\_\_

CUSTOMER P.O.: \_\_\_\_\_

SALES ORDER: \_\_\_\_\_

**MODEL RSHSC-2Q 90-450 LBS.  
ELASTOMERIC AND SPRING HANGER  
WITH OFFSET EYELETS  
2 INCH DEFLECTION**



**THE VMC GROUP**  
The Power of Together  
Bloomington, NJ 07403  
Houston, TX 77041

SCALE: NONE	
SHEET:	
DRAWING NO.:	REVISION