

REV.	DESCRIPTION	DATE	BY

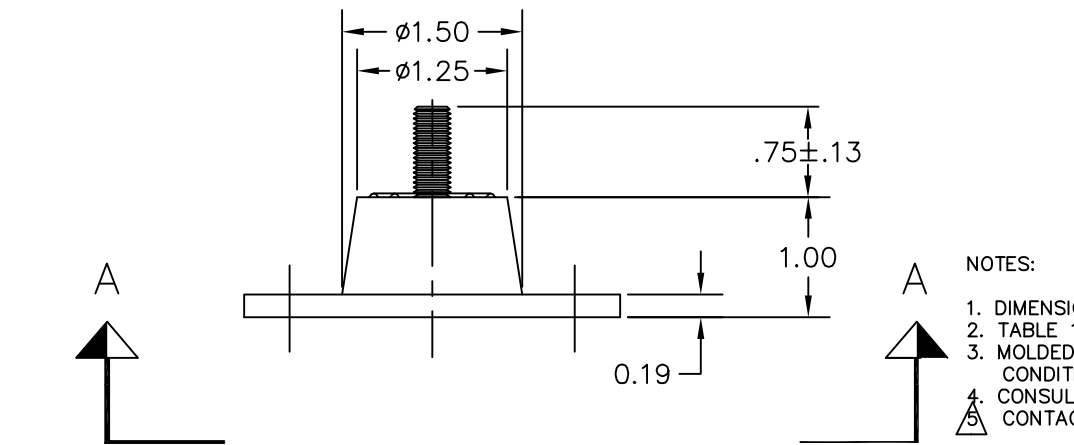
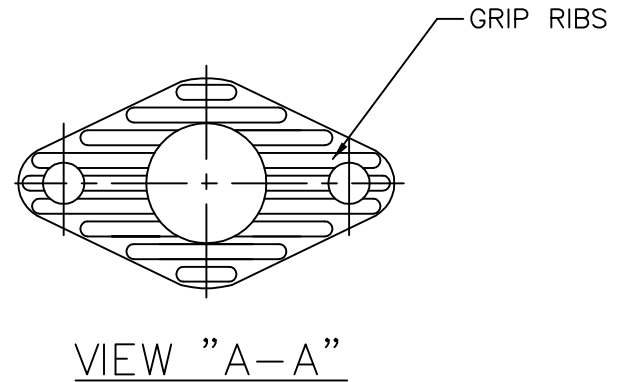
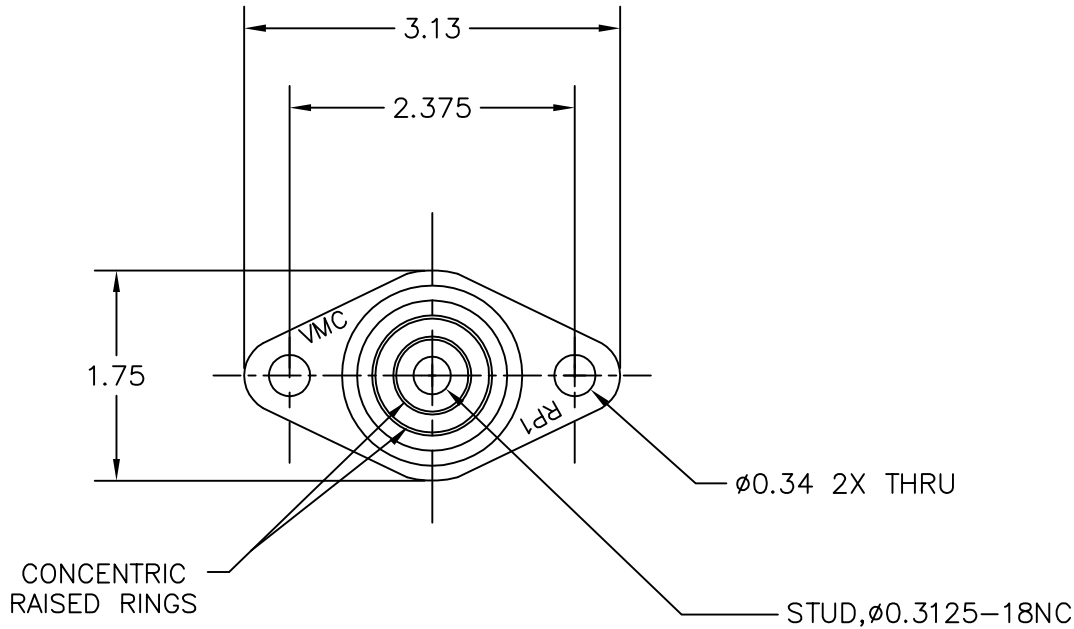


TABLE 1

PART NUMBER	MODEL	RATED AXIAL LOAD-LBS	DEFLECTION AT RATED LOAD-INCHES
114A-100411-01	RP1-BLUE-WR	35	0.20
114A-100411-02	RP1-BROWN-WR	45	0.20
114A-100411-03	RP1-RED-WR	70	0.20
114A-100411-04	RP1-GREEN-WR	120	0.20
114A-100411-05	RP1-GRAY-WR	250	0.20
114A-100411-06	RP1-PURPLE-WR	△	0.20

STUD, $\phi 0.3125-18NC$

AXIAL TO RADIAL SPRING RATE (K) RATIO 3:1 NOMINAL

NOTES:

1. DIMENSIONS FOR CUSTOMER REFERENCE
2. TABLE 1 IS AVERAGE DESIGN DATA FOR REFERENCE.
3. MOLDED STEEL AND ELASTOMER MOUNT FOR NON-FAIL SAFE, OUTDOOR SERVICE CONDITIONS.
4. CONSULT VMC FOR APPLICABILITY
- △ CONTACT VMC FOR APPLICABLE RATED LOAD.

OTHER MATERIALS, COMPOUNDS, OR FINISHES WITH EQUAL OR SUPERIOR PROPERTIES MAY BE SUBSTITUTED AS THEY BECOME AVAILABLE.

CERTIFIED FOR:

JOB NAME: _____
 CUSTOMER: _____
 CUSTOMER P.O.: _____
 SALES ORDER: _____

MODEL RP1 35-250 LBS.
 DURULENE ELASTOMERIC ISOLATOR
 WITH POSITIONING PIN
 0.20 INCH DEFLECTION



THE VMC GROUP
 The Power of Together
 Bloomingdale, NJ 07403
 Houston, TX 77041

SCALE:

NONE

SHEET:



DRAWING NO.:

REVISION