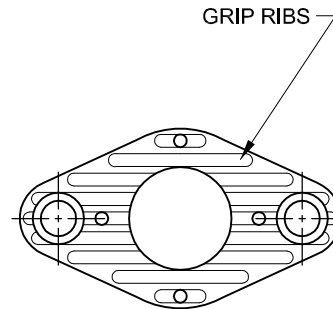
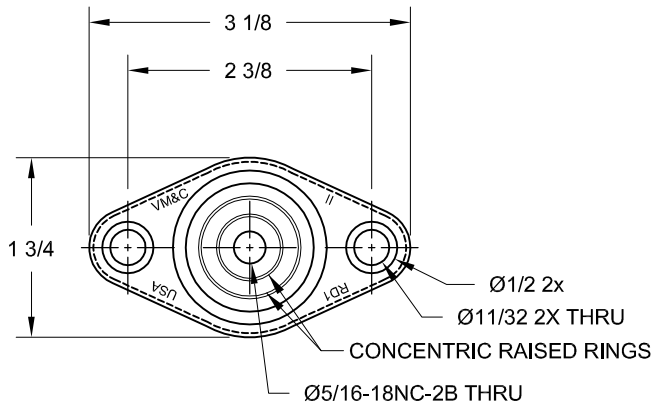
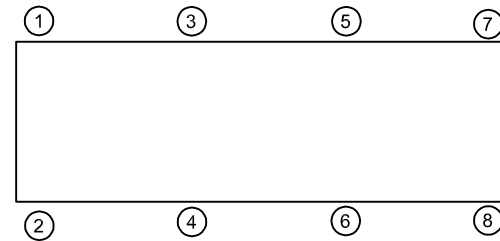
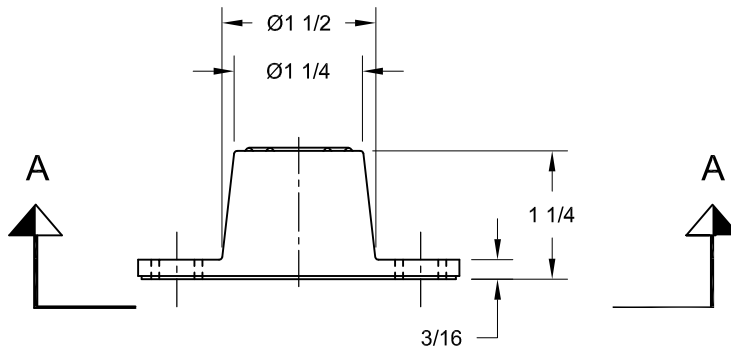


REV.	DESCRIPTION	DATE	BY



VIEW "A-A"

MODEL, ELASTOMERIC, RD1				
PART NUMBER	MODEL	RATED AXIAL	SHORE A DURO ±5	RATED DEFLECTION
330604	RD1-BLUE	35	30	0.40
330701	RD1-BLACK	45	40	0.40
330809	RD1-RED	70	50	0.40
330906	RD1-GREEN	120	60	0.40
330019	RD1-GRAY	250	70	0.40



ISOLATOR SELECTIONS	
LOC 1:	LOC 2:
LOC 3:	LOC 4:
LOC 5:	LOC 6:
LOC 7:	LOC 8:
CUSTOMER EQP'T. TAG:	

NOTES:

1. ALL DIMENSIONS ARE IN INCHES, INTERPRET PER ANSI Y14.
2. ALL DIMENSIONS ARE NOMINAL AND FOR REFERENCE ONLY.
3. MOLDED STEEL AND ELASTOMER MOUNT FOR NON-FAIL SAFE, SERVICE CONDITIONS. CONSULT VMC FOR APPLICABILITY.
4. COLOR CODE IS MOUNT COLOR.

NOTE: MATERIAL SHOWN IS FOR (1) SET.

OTHER MATERIALS, COMPOUNDS, OR FINISHES WITH EQUAL OR SUPERIOR PROPERTIES MAY BE SUBSTITUTED AS THEY BECOME AVAILABLE.

CERTIFIED FOR:

JOB NAME: \_\_\_\_\_  
 CUSTOMER : \_\_\_\_\_  
 CUSTOMER P.O.: \_\_\_\_\_  
 SALES ORDER: \_\_\_\_\_

MODEL RD1 35-250 LBS.  
 ELASTOMERIC ISOLATOR  
 0.4 INCH DEFLECTION



**THE VMC GROUP**  
*The Power of Together*  
 Bloomingdale, NJ 07403  
 Houston, TX 77041

SCALE:

NONE

SHEET:



DRAWING NO.:

REVISION