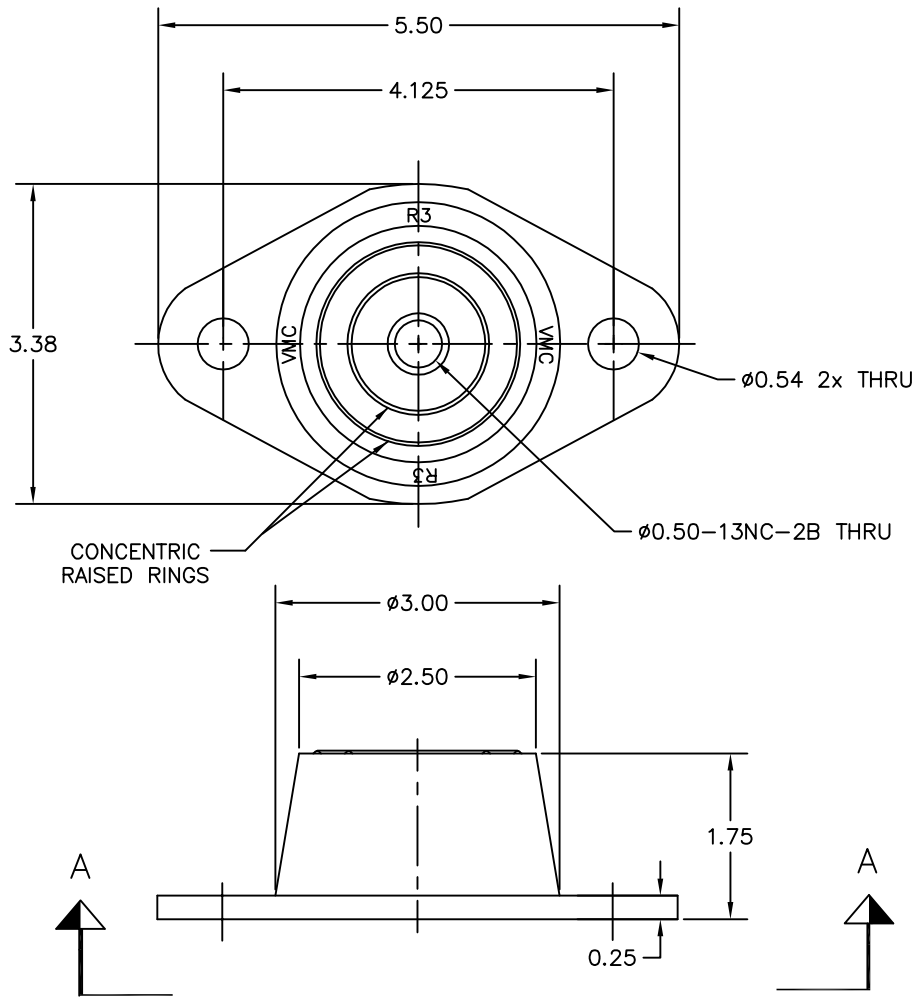
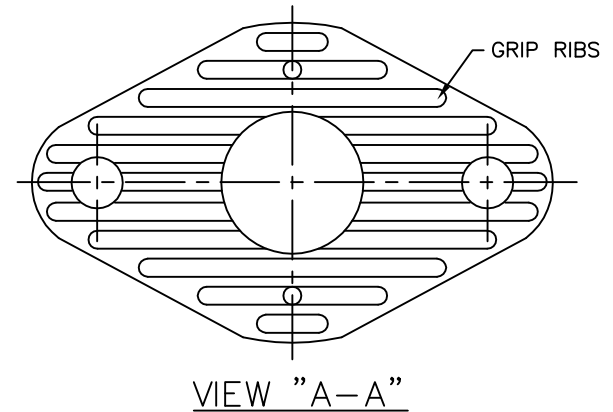


114R-103758 REV.: 3

REV.	DESCRIPTION	DATE	BY



PART NUMBER	MODEL	RATED AXIAL LOAD (LBS)	DEFLECTION (IN)
330744	R3-BLACK	250	0.25
330647	R3-RED	525	0.25
330442	R3-GREEN	750	0.25
330345	R3-GRAY	1100	0.25



- NOTES:
1. ALL DIMENSIONS ARE NOMINAL IN INCHES. INTERPRET PER ANSI Y14.
 2. MOLDED STEEL AND ELASTOMERIC ISOLATOR NON FAIL SAFE, SERVICE CONDITIONS. CONTACT THE VMC GROUP FOR APPLICABILITY
 3. MODEL COLORS ARE MOUNT IDENTIFICATION MARKINGS WHICH ARE AN ACCEPTABLE ADDITION TO MODEL TYPE STAMPING
 4. ADDITIONAL ELASTOMER TYPES & CAPACITIES AVAILABLE, CONTACT THE VMC GROUP FOR APPLICABILITY.

OTHER MATERIALS, COMPOUNDS, OR FINISHES WITH EQUAL OR SUPERIOR PROPERTIES MAY BE SUBSTITUTED AS THEY BECOME AVAILABLE.

CERTIFIED FOR:

JOB NAME: _____

CUSTOMER: _____

CUSTOMER P.O.: _____

SALES ORDER: _____

**MODEL R3 250-1100 LBS.
ELASTOMERIC ISOLATOR
0.25 INCH DEFLECTION**



THE VMC GROUP
The Power of Together
Bloomingdale, NJ 07403
Houston, TX 77041

SCALE: NONE

SHEET: _____



DRAWING NO.: _____

REVISION _____