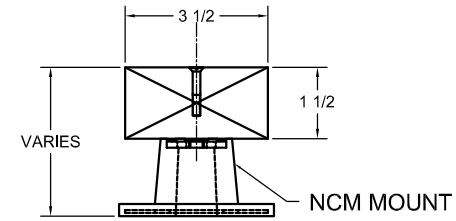
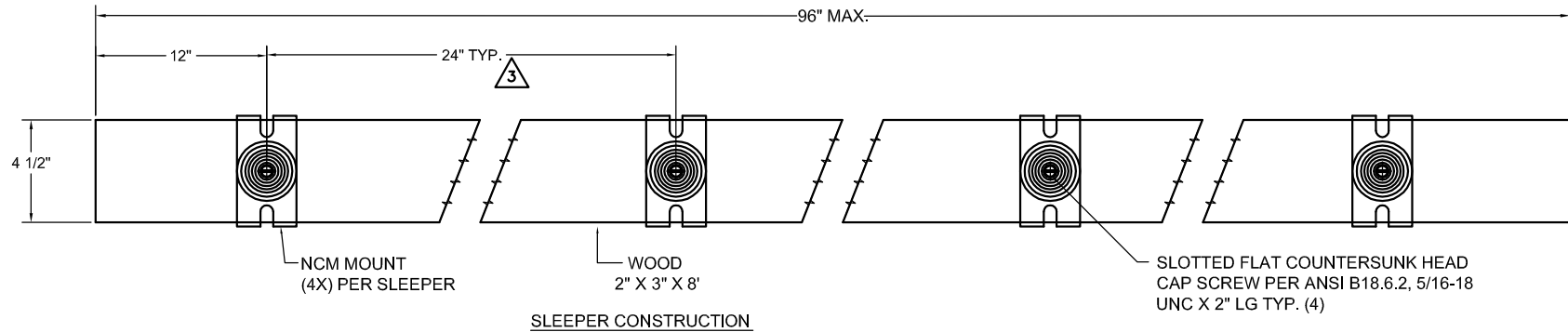


REV.	DESCRIPTION	DATE	BY





SLEEPER PROFILE



NOTES:

1. VMC TYP. SLEEPER ARE SHIPPED IN 8FT. LENGTH AND ARE CUT TO SIZE AS NEED.
2. SLEEPER LAYOUT ARE SET AT A NOMINAL DISTANCE OF 2 FT ON CENTER, HOWEVER FIELD CONDITIONS MAY REQUIRE LOCALIZED REDUCED SPACING TO ACCOMMODATE ACTUAL PERIMETER WALL CONSTRUCTION.
3. CHANGES MAY OCCUR DEPENDING ON PRODUCT DESIGN.
4. B.O.= BY OTHERS NOT VMC.

OTHER MATERIALS, COMPOUNDS, OR FINISHES WITH EQUAL OR SUPERIOR PROPERTIES MAY BE SUBSTITUTED AS THEY BECOME AVAILABLE.

CERTIFIED FOR: JOB NAME: _____ CUSTOMER : _____ CUSTOMER P.O.: _____ SALES ORDER: _____	MODEL NCM WOOD LOW PROFILE ELASTOMERIC SLEEPER 0.35 DEFLECTION	 THE VMC GROUP <i>The Power of Together</i> Bloomingdale, NJ 07403 Houston, TX 77041	SCALE : NONE	Member 
			SHEET:	