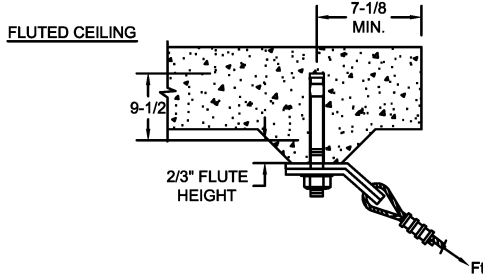
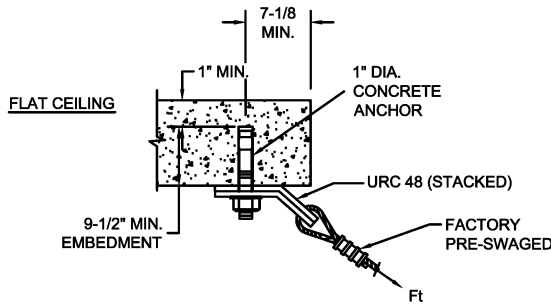
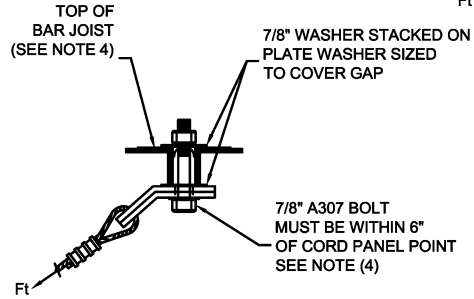
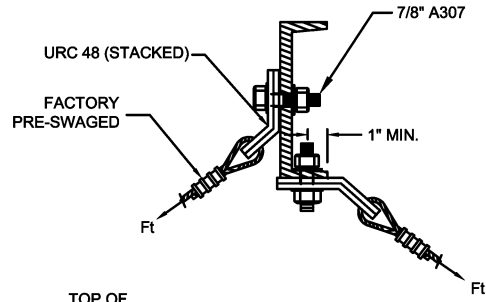


REV.	DESCRIPTION	DATE	BY



CONCRETE
LEVEL I ONLY
(SEE BELOW FOR J & K)



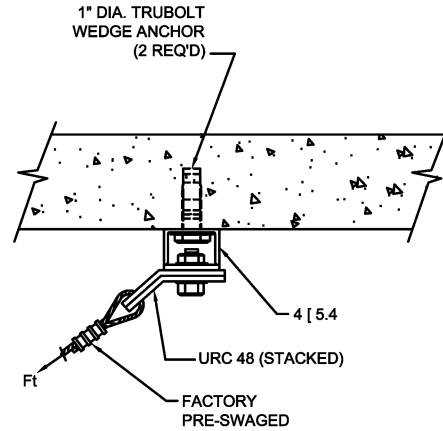
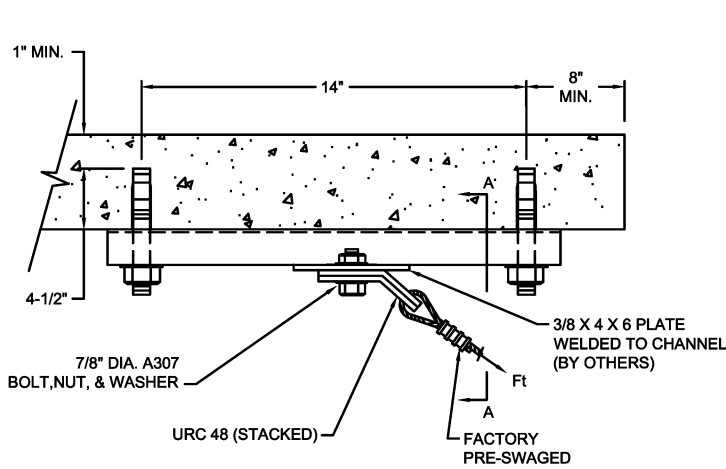
STEEL

ATTACHMENT LEVEL	MAX. Ft LBS.
I	3051
J	3835
K	4400

SEE NOTES BELOW



STRUCTURAL ATTACHMENT LEVELS I THROUGH K



SECTION A-A

ALTERNATE CONCRETE STRUCTURAL ATTACHMENT LEVEL I THROUGH K

NOTES

- CONCRETE ANCHOR ALLOWABLE LOADS MUST EQUAL OR EXCEED RAMSET/REDHEAD TRUBOLT WEDGE ANCHORS WITH 4:1 SAFETY FACTOR AS PUBLISHED IN LATEST ICBO REPORT. INSTALLER MUST CHECK WITH LOCAL JURISDICTION TO DETERMINE IF A SPECIAL INSPECTOR IS REQUIRED FOR INSTALLATION OF ANCHORS USING A 4:1 SAFETY FACTOR. ANCHOR SPACING MUST BE A MINIMUM 16 ANCHOR DIAMETERS FOR FULL RATING MINIMUM 3000 PSI CONCRETE REQUIRED.
- HOLES FOR THROUGH BOLTS MUST BE NO MORE THAN 1/16" LARGER THAN BOLT DIAMETER
- CAPABILITY OF STRUCTURAL ELEMENT TO WITHSTAND SEISMIC LOADING MUST BE APPROVED BY PROJECT STRUCTURAL DESIGN PROFESSIONAL.

OTHER MATERIALS, COMPOUNDS, OR FINISHES WITH EQUAL OR SUPERIOR PROPERTIES MAY BE SUBSTITUTED AS THEY BECOME AVAILABLE.

CERTIFIED FOR:

JOB NAME: _____
 CUSTOMER: _____
 CUSTOMER P.O.: _____
 SALES ORDER: _____

**MODEL LRC 3051-4400 LBS.
 SEISMIC CABLE RESTRAINT
 STRUCTURAL ATTACHMENT
 ILLUSTRATION**



THE VMC GROUP
 The Power of Together
 Bloomingdale, NJ 07403
 Houston, TX 77041

SCALE:

NONE

SHEET:



DRAWING NO.:

REVISION