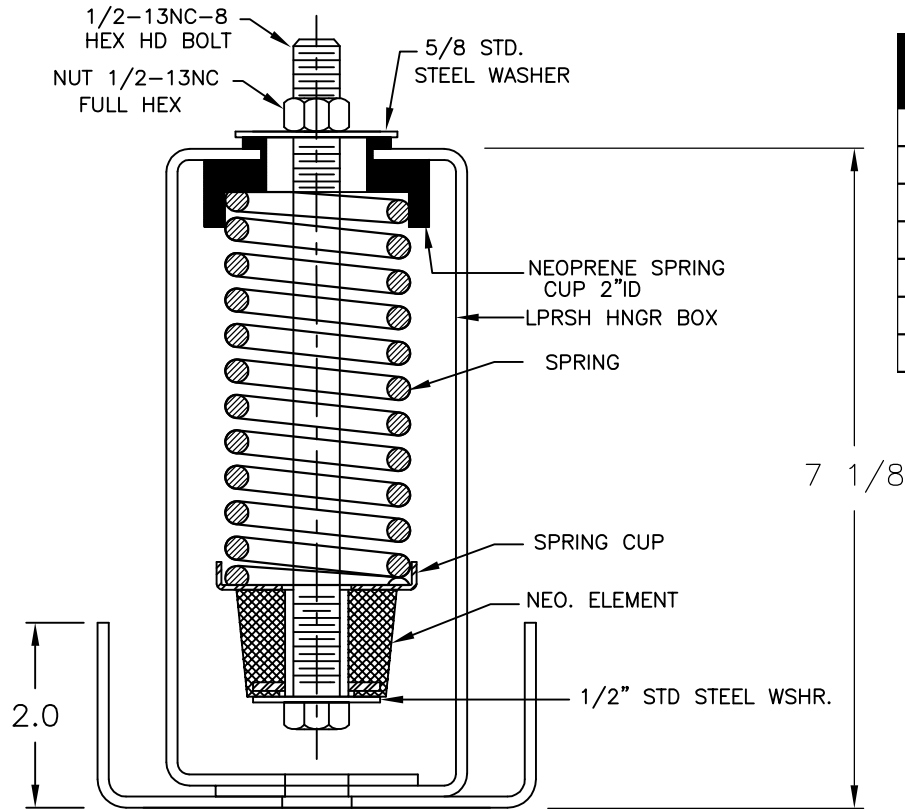
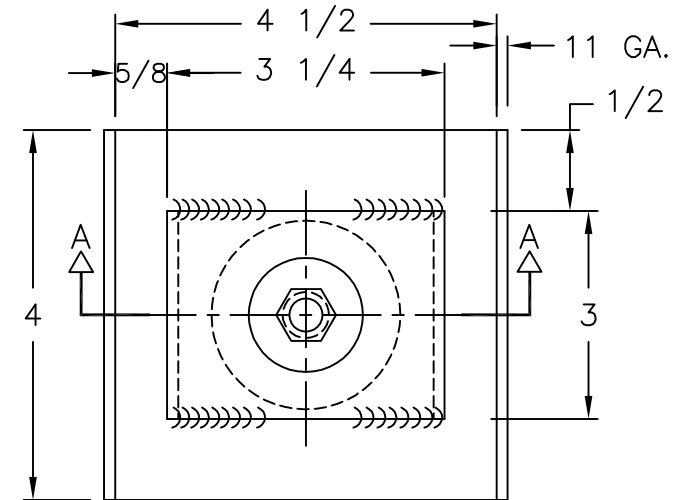


REV.	DESCRIPTION	DATE	BY



**SECTION A-A**  
**STYLE 2Q-[ ] ODD**

MODEL DESIGNATION	MAX LOAD (LBS)	DEFL. (INS)	COLOR SPRING
LPRSH-2Q-90-0DD	90	2.5	DK. BLUE
LPRSH-2Q-110-0DD	110	2.39	BLACK
LPRSH-2Q-140-0DD	140	2.09	RED
LPRSH-2Q-195-0DD	195	2.07	DK GREEN
LPRSH-2Q-240-0DD	240	1.97	GRAY
LPRSH-2Q-340-0DD	340	2.00	YELLOW
LPRSH-2Q-450-0DD	450	2.01	ORANGE



**PLAN**

**NOTES:**

1. ALL DIMENSIONS NOMINAL IN INCHES. INTERPRET PER ANSI Y14.
2. ALL HARDWARE ZINC COATED.
3. SEE SHEET 3 FOR ADDITIONAL PART NUMBER, OPTIONS AND ACCESSORIES.
4. RATED DEFLECTIONS ARE WITHIN 25% OF NOMINAL.

OTHER MATERIALS, COMPOUNDS, OR FINISHES WITH EQUAL OR SUPERIOR PROPERTIES MAY BE SUBSTITUTED AS THEY BECOME AVAILABLE.

**CERTIFIED FOR:**

JOB NAME: \_\_\_\_\_  
 CUSTOMER : \_\_\_\_\_  
 CUSTOMER P.O.: \_\_\_\_\_  
 SALES ORDER: \_\_\_\_\_

**MODEL LPRSH -2Q 90-450 LBS.**  
**LOW PROFILE SPRING AND**  
**ELASTOMERIC ISOLATOR**  
**2 INCH DEFLECTION**



**THE VMC GROUP**  
*The Power of Together*  
 Bloomingdale, NJ 07403  
 Houston, TX 77041

SCALE :

NONE

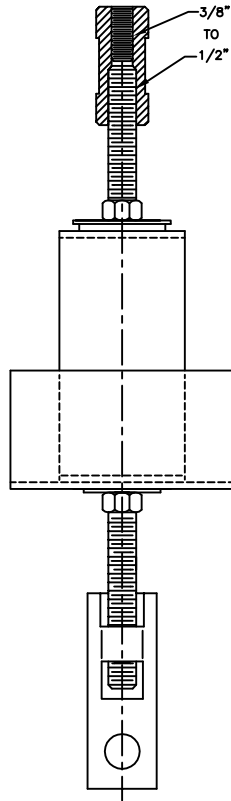
SHEET:



DRAWING NO.:

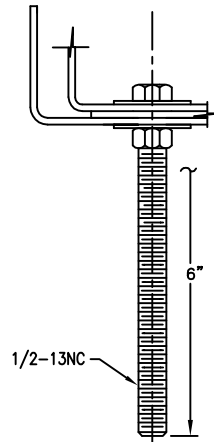
REVISION

REV.	DESCRIPTION	DATE	BY

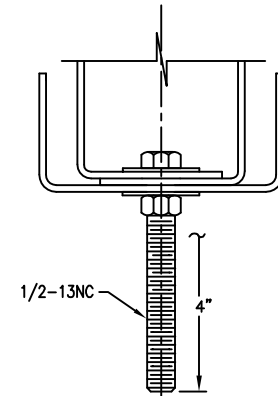


GEN. ASSY.

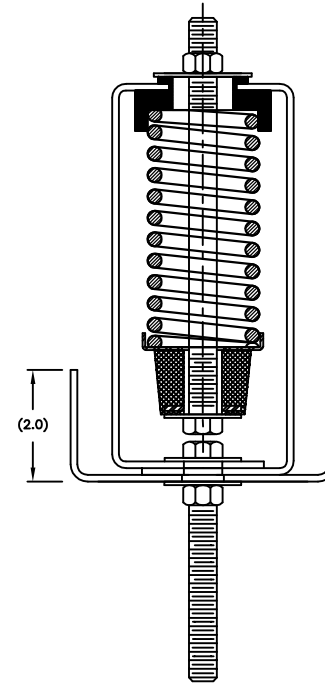
SEE SHEET 3 FOR  
OPTIONS / ACCESSORIES BOM



6" Long Bolt Assy



4" Long Bolt Assy



BASIC HANGER ASSY.  
STYLE 2Q-[ ] 4DD

OTHER MATERIALS, COMPOUNDS, OR FINISHES WITH EQUAL OR SUPERIOR PROPERTIES MAY BE SUBSTITUTED AS THEY BECOME AVAILABLE.

**CERTIFIED FOR:**

JOB NAME: \_\_\_\_\_  
 CUSTOMER : \_\_\_\_\_  
 CUSTOMER P.O.: \_\_\_\_\_  
 SALES ORDER: \_\_\_\_\_

**MODEL LPRSH -2Q 90-450 LBS.  
 LOW PROFILE SPRING AND  
 ELASTOMERIC ISOLATOR  
 2 INCH DEFLECTION**



**THE VMC GROUP**  
*The Power of Together*  
 Bloomingdale, NJ 07403  
 Houston, TX 77041

SCALE :  
 NONE

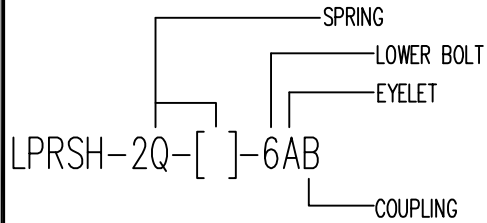
SHEET:



DRAWING NO.: \_\_\_\_\_ REVISION

REV.	DESCRIPTION	DATE	BY

PART NUMBER EXAMPLE



			1	1	2					11	141561-1	EYELET SOCKET, STRAIGHT	
							1	1	2	12	141562-1	COUPLING,REDUCER,ROD 1/2" - 3/8"	
	1									10	141119	BOLT, HEX. HD. 1/2-13NC X 4" LG. FULL THRD.,(LOWER)	
2	2									9	141026	WSHR, FLAT 9/16 X 1 3/8 X 1/16 ,(LOWER) (1/2" STD.STL)	
1	1									8	141585	NUT, FULL HEX. 1/2"-13 NC-2B , (LOWER)	
1										7	141151	BOLT, HEX. HD. 1/2-13NC X 6" LG. FULL THRD., (LOWER)	
6	4	0	A	B	C	D	A	B	C	D			
LOWER BOLT OPTION			EYELET OPTION				COUPLING OPTION				ITEM #	PART/ DWG. #	DESCRIPTION



OPTIONS / ACCESSORIES B.O.M.

(IN ADDITION TO TABLE 1 ASSEMBLY)

PRODUCT NUMBER SUFFIX

LPRSH	<b>SPRING OPTION</b>	<b>COLOR CODE</b>	<b>LOWER BOLT OPTION</b>	<b>EYELET OPTION</b>	<b>COUPLING OPTION</b>
	2Q-90=90LBS	DK. BLUE	O=NO BOLT	A=TOP ONLY	A=TOP ONLY
	2Q-110=110LBS	BLACK	4=4"	B=BOTTOM ONLY	B=BOTTOM ONLY
	2Q-140=140LBS	RED	6=6"	C=TOP&BOTTOM	C=TOP&BOTTOM
	2Q-195=195LBS	DK. GREEN		D=NONE	D=NONE
	2Q-240=240LBS	GRAY			
	2Q-340=340LBS	YELLOW			
	2Q-450=450LBS	ORANGE			
2Q-675=675LBS	WHITE				

OTHER MATERIALS, COMPOUNDS, OR FINISHES WITH EQUAL OR SUPERIOR PROPERTIES MAY BE SUBSTITUTED AS THEY BECOME AVAILABLE.

<b>CERTIFIED FOR:</b> JOB NAME: _____ CUSTOMER : _____ CUSTOMER P.O.: _____ SALES ORDER: _____	<b>MODEL LPRSH -2Q 90-450 LBS.                  LOW PROFILE SPRING AND                  ELASTOMERIC ISOLATOR                  2 INCH DEFLECTION</b>	 <b>THE VMC GROUP</b> <i>The Power of Together</i> Bloomingdale, NJ 07403 Houston, TX 77041	SCALE : NONE	Member 		
			SHEET:		DRAWING NO.:	REVISION