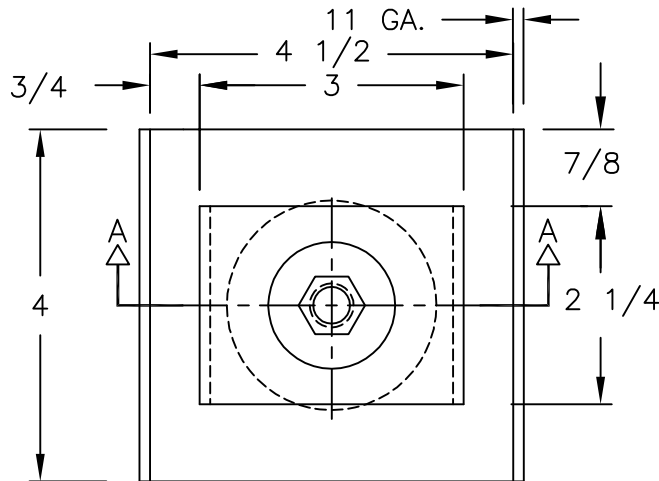


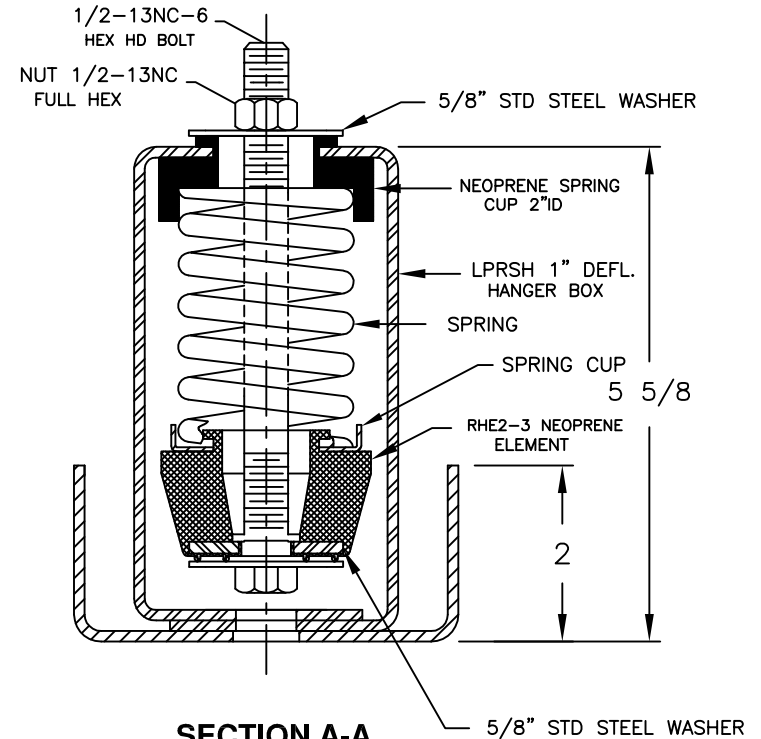
REV.	DESCRIPTION	DATE	BY

MODEL DESIGNATION	MAX LOAD (LBS)	DEFL. (INS)	COLOR SPRING
LPRSH-1C-15-ODD	15	1	DK. GREY
LPRSH-1C-25-ODD	25	1	GREEN
LPRSH-1C-50-ODD	50	1	BLUE
LPRSH-1C-100-ODD	100	1	TAN
LPRSH-1C-150-ODD	150	1	RED
LPRSH-1C-250-ODD	250	0.83	BLACK
LPRSH-1C-300-ODD	300	0.75	DK. YELLOW
LPRSH-1C-370-ODD	370	0.75	YELLOW



NOTES:



1. ALL DIMENSIONS NOMINAL IN INCHES. INTERPRET PER ANSI Y14.
2. ALL HARDWARE ZINC COATED.
3. SEE SHEET 3 FOR ADDITIONAL PART NUMBER, OPTIONS AND ACCESSORIES.
4. RATED DEFLECTIONS ARE WITHIN 25% OF NOMINAL.



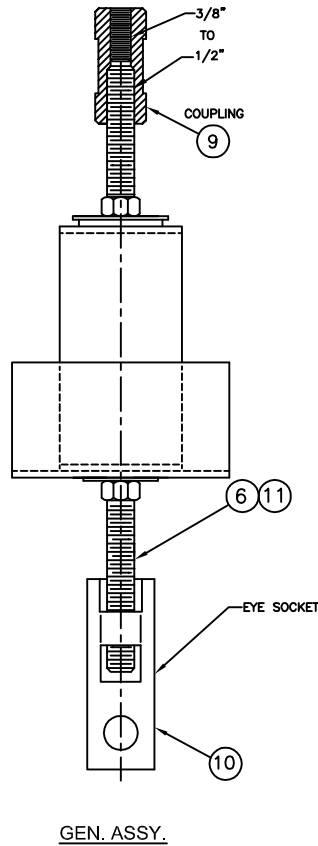
SECTION A-A

STYLE LPRSH-1C- [] ODD SHOWN

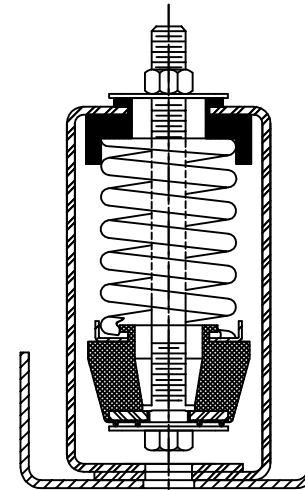
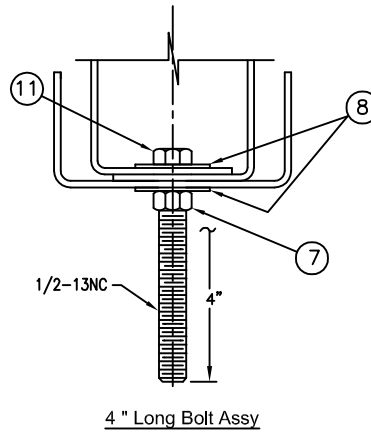
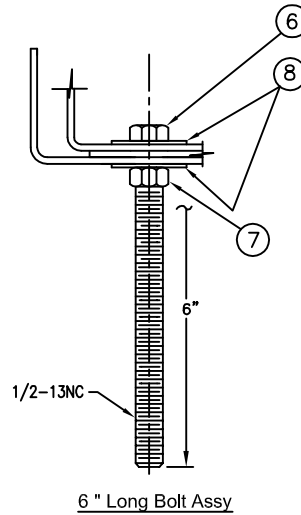
OTHER MATERIALS, COMPOUNDS, OR FINISHES WITH EQUAL OR SUPERIOR PROPERTIES MAY BE SUBSTITUTED AS THEY BECOME AVAILABLE.

CERTIFIED FOR: JOB NAME: _____ CUSTOMER: _____ CUSTOMER P.O.: _____ SALES ORDER: _____	MODEL LPRSH-1C 15-370 LBS. LOW PROFILE SPRING AND ELASTOMERIC ISOLATOR 1 INCH DEFLECTION	 THE VMC GROUP <i>The Power of Together</i> Bloomingdale, NJ 07403 Houston, TX 77041	SCALE:	NONE 1 OF	
			SHEET:		
			DRAWING NO.:	REVISION	

REV.	DESCRIPTION	DATE	BY



SEE SHEET 3 FOR OPTIONS / ACCESSORIES BOM



STYLE LPRSH-1C | J ODD

OTHER MATERIALS, COMPOUNDS, OR FINISHES WITH EQUAL OR SUPERIOR PROPERTIES MAY BE SUBSTITUTED AS THEY BECOME AVAILABLE.

CERTIFIED FOR:

JOB NAME: _____

CUSTOMER: _____

CUSTOMER P.O.: _____

SALES ORDER: _____

**MODEL LPRSH-1C 15-370 LBS.
LOW PROFILE SPRING AND
ELASTOMERIC ISOLATOR
1 INCH DEFLECTION**



THE VMC GROUP
The Power of Together
Bloomingdale, NJ 07403
Houston, TX 77041

SCALE :
NONE

SHEET:
2 OF



DRAWING NO.: _____ REVISION

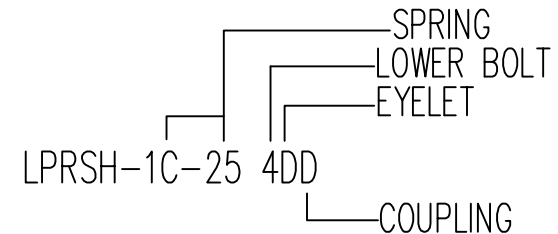
REV.	DESCRIPTION	DATE	BY

1									11	141119	BOLT, HEX. HD. 1/2-13NC X 4" LG. FULL THRD.,(LOWER)		
		1	1	2					10	141561-1	EYELET SOCKET, STRAIGHT		
						1	1	2	9	141562-1	COUPLING,REDUCER,ROD 1/2" - 3/8"		
2	2								8	141026	WSHR, FLAT 9/16 X 1 3/8 X 1/16 ,(LOWER) (1/2" STD.STL)		
1	1								7	141585	NUT, FULL HEX. 1/2"-13 NC-2B ,(LOWER)		
1									6	141151	BOLT, HEX. HD. 1/2-13NC X 6" LG. FULL THRD., (LOWER)		
6	4	0	A	B	C	D	A	B	C	D			
LOWER BOLT OPTION			EYELET OPTION				COUPLING OPTION				ITEM #	PART/ DWG. #	DESCRIPTION

OPTIONS / ACCESSORIES B.O.M.

(IN ADDITION TO TABLE 1 ASSEMBLY)

PART NUMBER EXAMPLE



LPRSH

SPRING OPTION	COLOR CODE
1C-15=15LBS.	DK. GREEN
1C-25=25LBS.	GREEN
1C-50=50LBS.	BLUE
1C-100=100LBS.	TAN
1C-150=150LBS.	RED
1C-250=250LBS.	BLACK
1C-300=300LBS.	DK. YELLOW
1C-370=370LBS.	YELLOW

LOWER BOLT OPTION
O=NO BOLT
4=4"
6=6"

EYELET OPTION
A=TOP ONLY
B=BOTTOM ONLY
C=TOP&BOTTOM
D=NONE

COUPLING OPTION
A=TOP ONLY
B=BOTTOM ONLY
C=TOP&BOTTOM
D=NONE

PRODUCT NUMBER SUFFIX

OTHER MATERIALS, COMPOUNDS, OR FINISHES WITH EQUAL OR SUPERIOR PROPERTIES MAY BE SUBSTITUTED AS THEY BECOME AVAILABLE.

CERTIFIED FOR:

JOB NAME: _____
 CUSTOMER: _____
 CUSTOMER P.O.: _____
 SALES ORDER: _____

MODEL LPRSH-1C 15-370 LBS.
 LOW PROFILE SPRING AND
 ELASTOMERIC ISOLATOR
 1 INCH DEFLECTION



THE VMC GROUP
The Power of Together
 Bloomingdale, NJ 07403
 Houston, TX 77041

SCALE: NONE

SHEET: 2 OF



DRAWING NO.: _____ REVISION