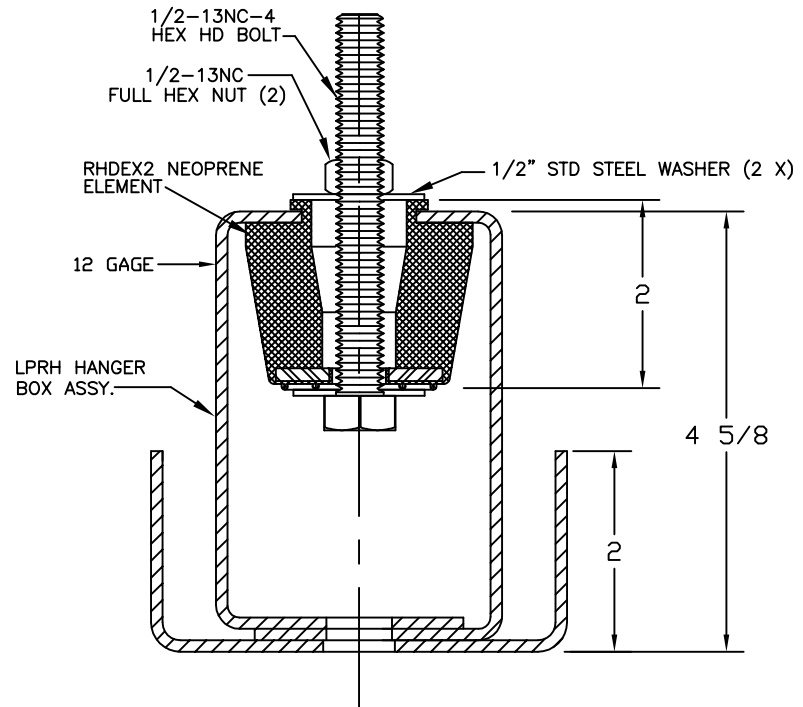
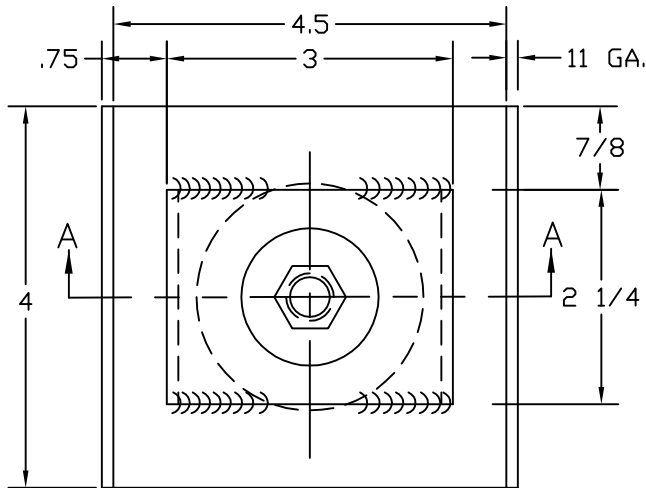


220R-103776 REV.: 1

REV.	DESCRIPTION	DATE	BY

MODEL DESIGNATION	MAX. LOAD (LBS)	DEFL. (INS)	COLOR CODE
LPRH- 150-ODD	150	0.5	YELLOW
LPRH- 180-ODD	180	0.5	RED
LPRH- 235-ODD	235	0.5	GREEN
LPRH- 300-ODD	300	0.5	WHITE
LPRH- 400-ODD	400	0.5	PURPLE
LPRH- 520-ODD	520	0.4	BLUE



OTHER MATERIALS, COMPOUNDS, OR FINISHES WITH EQUAL OR SUPERIOR PROPERTIES MAY BE SUBSTITUTED AS THEY BECOME AVAILABLE.

**CERTIFIED FOR:**

JOB NAME: \_\_\_\_\_  
 CUSTOMER : \_\_\_\_\_  
 CUSTOMER P.O.: \_\_\_\_\_  
 SALES ORDER: \_\_\_\_\_

**MODEL LPRH 150-520 LBS. LOW PROFILE NEOPRENE CEILING ISOLATED ISOLATOR**



**THE VMC GROUP**  
*The Power of Together*  
 Bloomingdale, NJ 07403  
 Houston, TX 77041

SCALE :

NONE

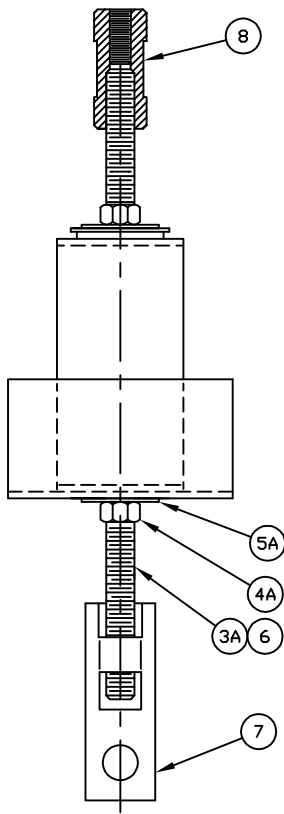
SHEET:



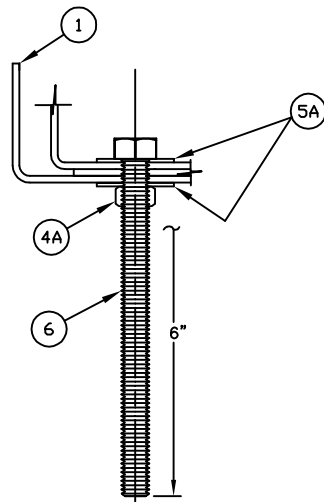
DRAWING NO.:

REVISION

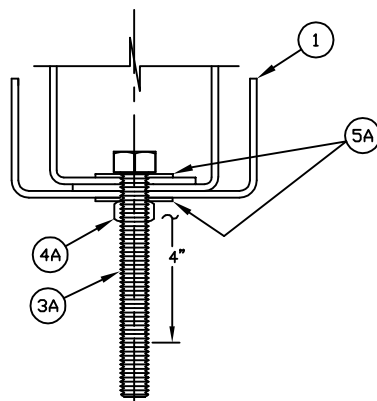
REV.	DESCRIPTION	DATE	BY



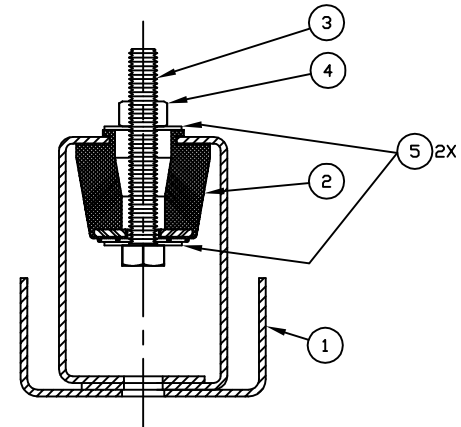
GEN. ASSY. W/ OPTIONS



6" LONG BOLT ASSY.



4" LONG BOLT ASSY.



BASIC HANGER ASSEMBLY

OTHER MATERIALS, COMPOUNDS, OR FINISHES WITH EQUAL OR SUPERIOR PROPERTIES MAY BE SUBSTITUTED AS THEY BECOME AVAILABLE.

**CERTIFIED FOR:**

JOB NAME: \_\_\_\_\_  
 CUSTOMER: \_\_\_\_\_  
 CUSTOMER P.O.: \_\_\_\_\_  
 SALES ORDER: \_\_\_\_\_

**MODEL LPRH 150-520 LBS. LOW PROFILE  
 NEOPRENE CEILING ISOLATED  
 ISOLATOR**



**THE VMC GROUP**  
 The Power of Together  
 Bloomingdale, NJ 07403  
 Houston, TX 77041

SCALE:

NONE

SHEET:



DRAWING NO.:

REVISION

