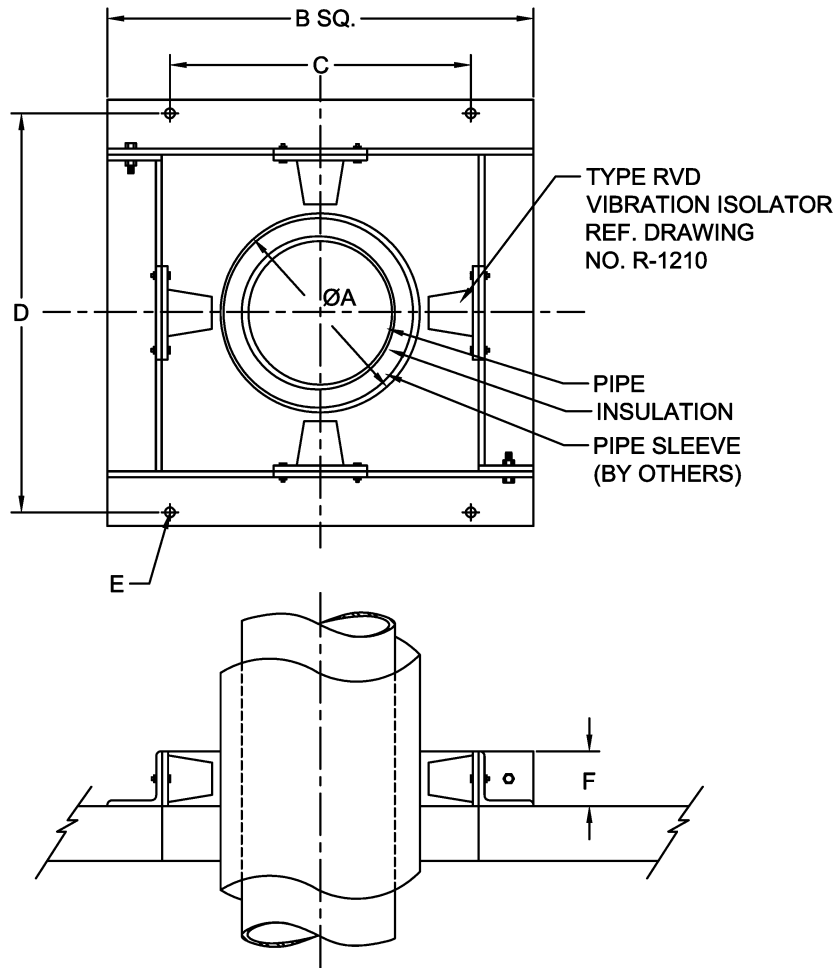


REV.	DESCRIPTION	DATE	BY





NOTES:

- 1) THE PIPE GUIDE SIZE SELECTION IS BASED UPON THE OVERALL DIAMETER "A" WHICH INCLUDES INSULATION. SHOULD INSULATION NOT BE USED, "A" REPRESENTS THE OUTSIDE DIAMETER OF THE PIPE.
- 2) UNLESS SPECIAL REQUEST IS MADE, 1/2" CLEARANCE WILL BE PROVIDED BETWEEN PIPE SLEEVE AND ISOLATOR.

SIZE	DIMENSIONS (IN.)					
	A	B	C	D	E	F
LD-1	2	10-3/4	4-3/4	9-1/4		
LD-2	2-3/8	11-1/8	5-1/8	9-5/8		
LD-3	2-7/8	11-5/8	5-5/8	10-1/8	5/8	2
LD-4	3-1/2	12-1/4	6-1/4	10-3/4		
LD-5	4	12-3/4	6-3/4	11-1/4		
LD-6	4-1/2	13-1/4	7-1/4	11-3/4		
LD-7	5	15-1/4	8-1/4	13-3/4		
LD-8	5-1/2	15-3/4	8-3/4	14-1/4		
LD-9	6	16-1/4	9-1/4	14-3/4		
LD-10	6-1/2	16-3/4	9-3/4	15-1/4	3/4	2-1/2
LD-11	7	17-1/4	10-1/4	15-3/4		
LD-12	7-1/2	17-3/4	10-3/4	16-1/4		
LD-13	8-5/8	18-7/8	11-7/8	17-3/8		
LD-14	9-5/8	19-7/8	12-7/8	18-3/8		
LD-15	10-3/4	22-1/2	14-1/2	21		
LD-16	12-3/4	24-1/2	16-1/2	23		
LD-17	13-3/4	25-1/2	17-1/2	24		
LD-18	14	25-3/4	17-3/4	24-1/4	7/8	3-1/2
LD-19	14-3/4	26-1/2	18-1/2	25		
LD-20	15-3/4	27-1/2	19-1/2	26		
LD-21	16	27-3/4	19-3/4	26-1/4		
LD-22	17	30-3/4	20-3/4	29		
LD-23	18	31-3/4	21-3/4	30		
LD-24	19	32-3/4	22-3/4	31		
LD-25	20	33-3/4	23-3/4	32		
LD-26	21	34-3/4	24-3/4	33	1	4
LD-27	22	35-3/4	25-3/4	34		
LD-28	23	36-3/4	26-3/4	35		
LD-29	24	37-3/4	27-3/4	36		
LD-30	25	38-3/4	28-3/4	37		

OTHER MATERIALS, COMPOUNDS, OR FINISHES WITH EQUAL OR SUPERIOR PROPERTIES MAY BE SUBSTITUTED AS THEY BECOME AVAILABLE.

CERTIFIED FOR: JOB NAME: _____ CUSTOMER : _____ CUSTOMER P.O.: _____ SALES ORDER: _____	MODEL LD PIPE GUIDE	 THE VMC GROUP <i>The Power of Together</i> Bloomingdale, NJ 07403 Houston, TX 77041	SCALE : NONE	
			SHEET: _____	