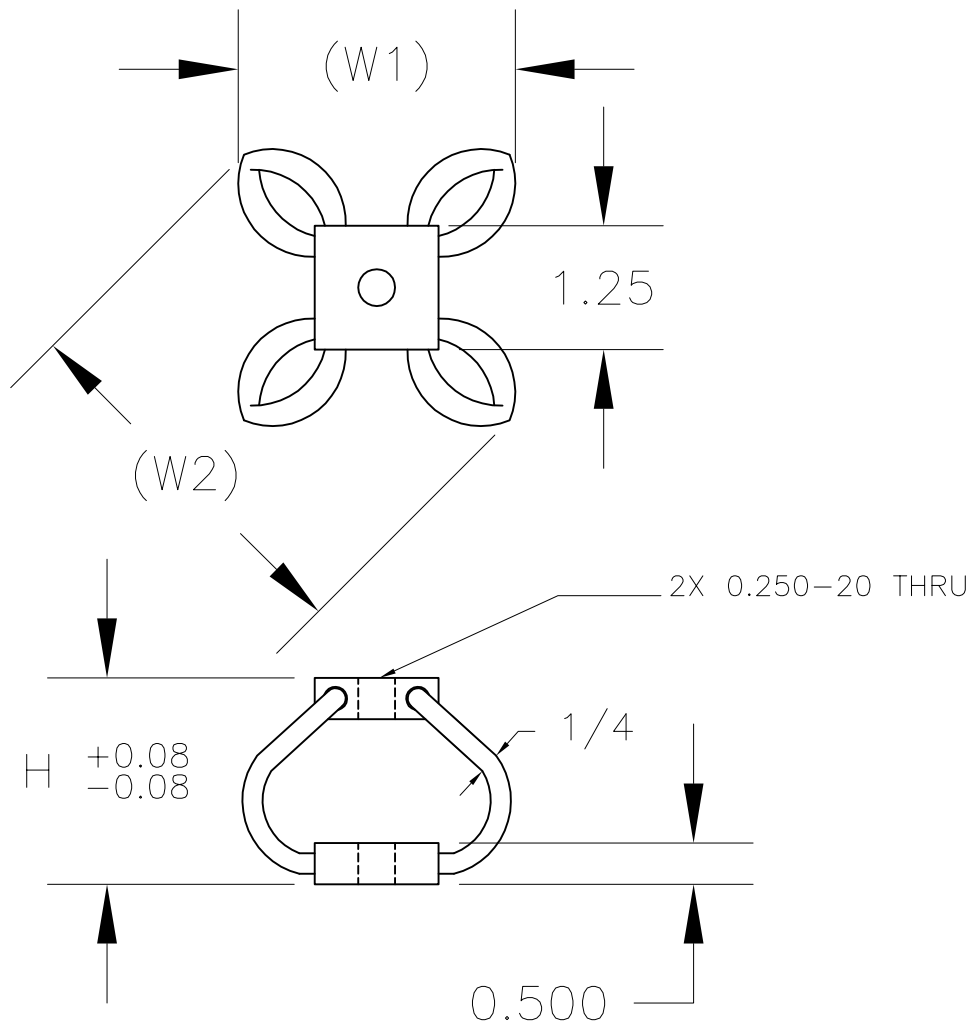


REV.	DESCRIPTION	DATE	BY

MODEL #	NOMINAL DIMENSIONS			LOAD MODE	SHOCK	VIBRATION	RATED
	H	W1(REF)	W2(REF)		AVERAGE	AVERAGE	DYNAMIC
					Klbs./in.	Klbs./in.	TRAVEL in.
JSQ8-200-T2	2.00	2.80	3.65	Compression	100	170	1.00
				Shear	65	85	1.00
				45 deg. C/R	65	125	1.40
JSQ8-225-T2	2.25	3.00	3.90	Compression	65	130	1.25
				Shear	40	60	1.25
				45 deg. C/R	40	85	1.75
JSQ8-250-T2	2.50	3.40	4.30	Compression	40	85	1.50
				Shear	25	35	1.50
				45 deg. C/R	30	60	2.10



OTHER MATERIALS, COMPOUNDS, OR FINISHES WITH EQUAL OR SUPERIOR PROPERTIES MAY BE SUBSTITUTED AS THEY BECOME AVAILABLE.

CERTIFIED FOR:

JOB NAME: _____
 CUSTOMER: _____
 CUSTOMER P.O.: _____
 SALES ORDER: _____

**MODEL JSQ8 SERIES
 SQUARE WIRE ROPE
 ISOLATOR**



THE VMC GROUP
The Power of Together
 Bloomingdale, NJ 07403
 Houston, TX 77041

SCALE:

NONE

SHEET:



DRAWING NO.:

REVISION