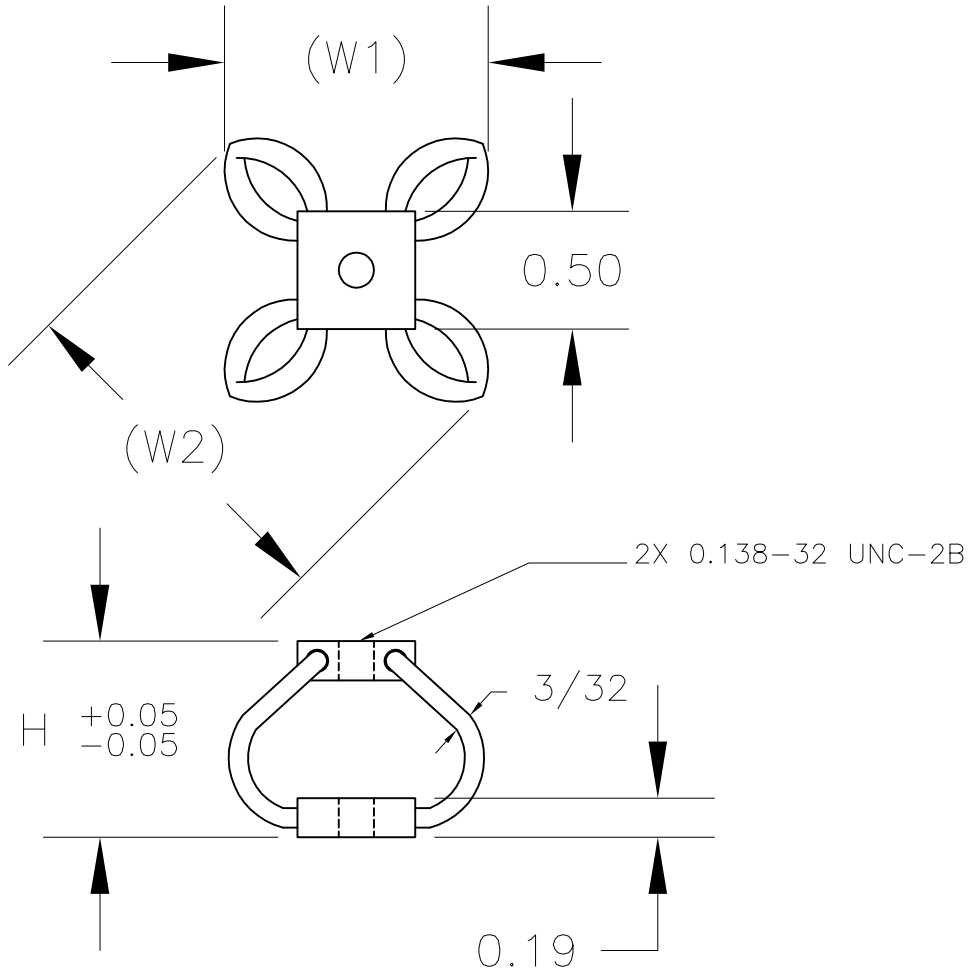


REV.	DESCRIPTION	DATE	BY

MODEL #	NOMINAL DIMENSIONS			LOAD MODE	SHOCK AVERAGE Klbs./in.	VIBRATIO N AVERAGE	RATED DYNAMIC TRAVEL
	H	W1(REF)	W2(REF)				
JSQ3-070-T2	0.70	1.00	1.30	Compression	65	90	0.30
				Shear	35	40	0.30
				45 deg. C/R	35	50	0.40
JSQ3-085-T2	0.85	1.10	1.50	Compression	30	45	0.45
				Shear	17	20	0.45
				45 deg. C/R	18	30	0.60
JSQ3-100-T2	1.00	1.25	1.60	Compression	17	25	0.60
				Shear	11	12	0.60
				45 deg. C/R	10	20	0.80



OTHER MATERIALS, COMPOUNDS, OR FINISHES WITH EQUAL OR SUPERIOR PROPERTIES MAY BE SUBSTITUTED AS THEY BECOME AVAILABLE.

CERTIFIED FOR:

JOB NAME: _____
 CUSTOMER: _____
 CUSTOMER P.O.: _____
 SALES ORDER: _____

**MODEL JSQ3 SERIES
 SQUARE WIRE ROPE
 ISOLATOR**



THE VMC GROUP
The Power of Together
 Bloomingdale, NJ 07403
 Houston, TX 77041

SCALE:

NONE

SHEET:



DRAWING NO.:

REVISION