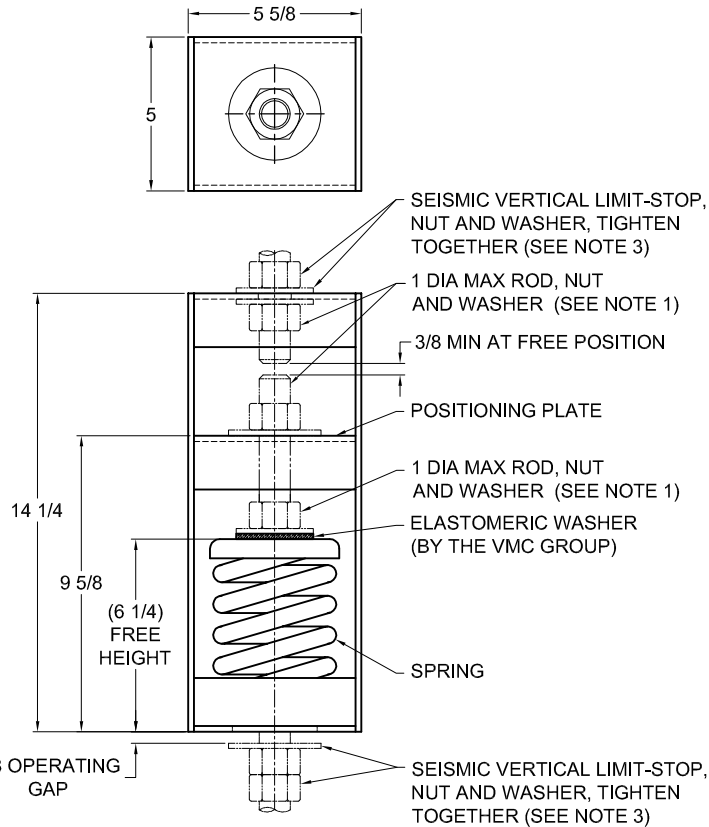


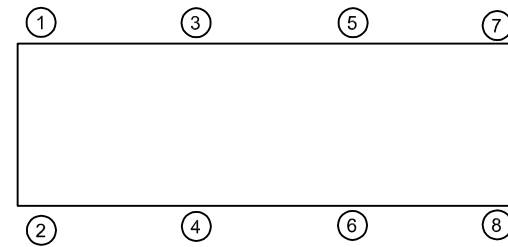
REV.	DESCRIPTION	DATE	BY



TYPE HSP-2E SPRING POSITIONING HANGERS FOR 2" NOMINAL DEFLECTION				
HANGER	RATED LOAD (LBS)	DEFLECTION (IN)	SPRING RATE (LB/IN)	SPRING COLOR CODE
HSP-2E-80	80	2.00	40	BLACK
HSP-2E-150	150	2.00	75	GREEN
HSP-2E-300	300	2.00	150	DK YELLOW
HSP-2E-500	500	2.00	250	BLUE
HSP-2E-776N <sup>1</sup>	776	2.00	388	BLUE/BLACK
HSP-2E-1000	1000	2.00	500	TAN
HSP-2E-1400	1400	1.87	749	RED
HSP-2E-1600N <sup>1</sup>	1600	2.13	750	TAN/RED
HSP-2E-1800	1800	1.71	1053	DK GRAY
HSP-2E-2050	2050	1.64	1250	DK BLUE
HSP-2E-2250N <sup>1</sup>	2250	1.62	1389	DK BLUE/BLACK
HSP-2E-2460N <sup>1</sup>	2460	1.64	1500	DK BLUE/RED
HSP-2E-2700N <sup>1</sup>	2700	1.64	1646	DK BLUE/ DK GREEN

**NOTES:**

1. TWO NESTED SPRINGS YIELD THIS LOAD. THE COLOR CODE INDICATED IS FOR OUTER SPRING/ INNER SPRING.



**NOTES:**

- HANGER RODS, NUTS AND WASHERS, AS SHOWN, NOT BY THE VMC GROUP.
- STANDARD FINISH: HANGER BOX - PAINTED, POWDER COATED OR GALVANIZED STEEL, SPRING - POWDER COAT.
- SEISMIC VERTICAL LIMIT-STOP REQUIRED FOR SEISMIC APPLICATIONS. NOT BY THE VMC GROUP. INSTALL WASHER .16 THK. MIN. X 3 O.D. MIN. WITH REQUIRED INSIDE DIAMETER TO ACCOMMODATE ROD SIZE IN USE. THIS CAN BE ACCOMPLISHED BY USING A SINGLE WASHER OR BY STACKING NOT MORE THAN TWO WASHERS
- ALL DIMENSIONS IN INCHES. INTERPRET PER ANSI Y14.
- ALL DIMENSIONS ARE FOR REFERENCE, DIMENSIONS SHOWN AS NOMINAL.
- ALL SPRINGS ARE DESIGNED WITH MINIMUM 50% OVER-TRAVEL.
- RATED DEFLECTIONS ARE WITHIN 25% OF NOMINAL. HIGHER DEFLECTIONS ARE ALLOWED IF THEY MEET SPECIFICATIONS.

**ISOLATOR SELECTIONS**

LOC 1:	LOC 2:
LOC 3:	LOC 4:
LOC 5:	LOC 6:
LOC 7:	LOC 8:
CUSTOMER EQP'T. TAG:	

NOTE: MATERIAL SHOWN IS FOR (1) SET.

OTHER MATERIALS, COMPOUNDS, OR FINISHES WITH EQUAL OR SUPERIOR PROPERTIES MAY BE SUBSTITUTED AS THEY BECOME AVAILABLE.

**CERTIFIED FOR:**

JOB NAME: \_\_\_\_\_  
 CUSTOMER : \_\_\_\_\_  
 CUSTOMER P.O.: \_\_\_\_\_  
 SALES ORDER: \_\_\_\_\_

**MODEL HSP-2E 80-2700 LBS.  
 SPRING POSITIONING HANGERS  
 2 INCH DEFLECTION**



**THE VMC GROUP**  
*The Power of Together*  
 Bloomingdale, NJ 07403  
 Houston, TX 77041

SCALE :

NONE

SHEET:



DRAWING NO.:

REVISION