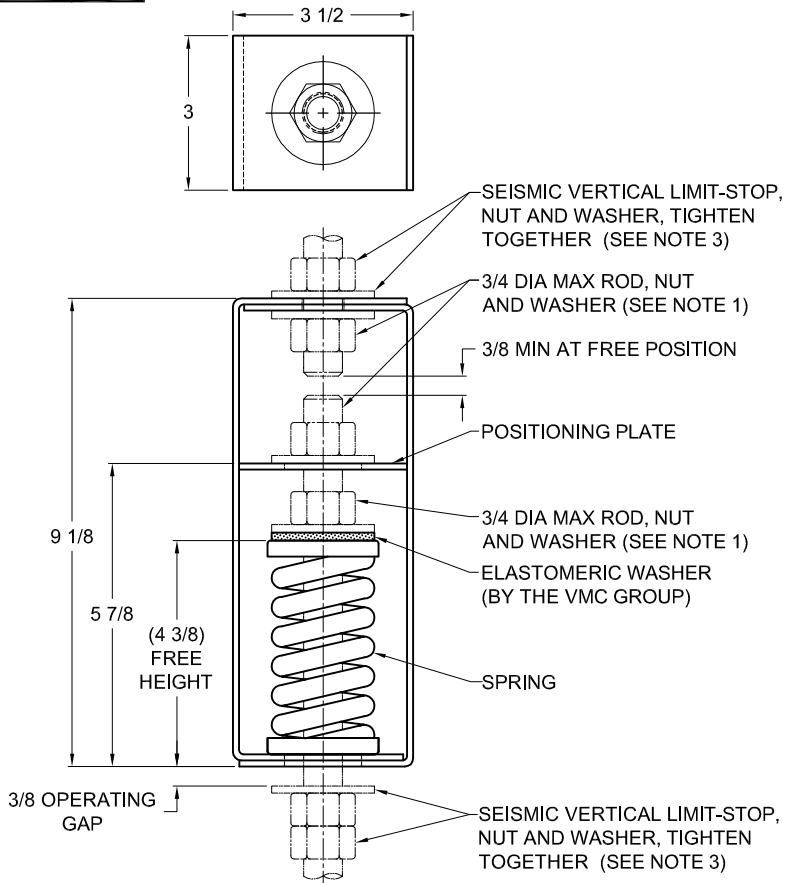
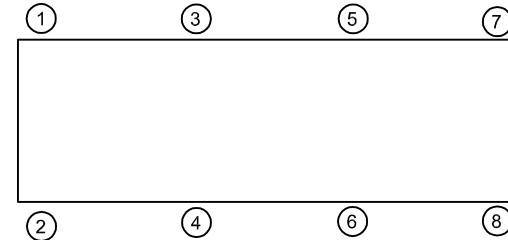


REV.	DESCRIPTION	DATE	BY



TYPE HSP-1D SPRING POSITIONING HANGERS FOR 1" NOMINAL DEFLECTION				
HANGER	RATED LOAD (LBS)	DEFLECTION (IN)	SPRING RATE (LBS/IN)	SPRING COLOR CODE
HSP-1D-85	85	1.35	63	LT PURPLE
HSP-1D-120	120	1.20	100	DK YELLOW
HSP-1D-175	175	1.17	150	DK BLUE
HSP-1D-250	250	1.40	179	YELLOW
HSP-1D-340	340	1.13	300	RED
HSP-1D-510	510	1.02	500	BLACK
HSP-1D-675	675	1.32	513	DK PURPLE
HSP-1D-900	900	1.02	881	DK GREEN
HSP-1D-1200	1200	0.90	1327	GRAY
HSP-1D-1360	1360	0.77	1758	WHITE



NOTES:

- HANGER RODS, NUTS AND WASHERS, AS SHOWN, NOT BY THE VMC GROUP.
- STANDARD FINISH: HANGER BOX - PAINTED, POWDER COATED OR GALVANIZED STEEL, SPRING - POWDER COAT.
- SEISMIC VERTICAL LIMIT-STOP REQUIRED FOR SEISMIC APPLICATIONS. NOT BY THE VMC GROUP. INSTALL WASHER .148 THK. MIN. X 2 O.D. MIN. WITH REQUIRED INSIDE DIAMETER TO ACCOMMODATE ROD SIZE IN USE. THIS CAN BE ACCOMPLISHED BY USING A SINGLE WASHER OR BY STACKING NOT MORE THAN TWO WASHERS
- ALL DIMENSIONS IN INCHES. INTERPRET PER ANSI Y14.
- ALL DIMENSIONS ARE FOR REFERENCE, DIMENSIONS SHOWN AS NOMINAL.
- ALL SPRINGS ARE DESIGNED WITH MINIMUM 50% OVER-TRAVEL.
- RATED DEFLECTIONS ARE WITHIN 25% OF NOMINAL. HIGHER DEFLECTIONS ARE ALLOWED IF THEY MEET SPECIFICATIONS.

ISOLATOR SELECTIONS

LOC 1:	LOC 2:
LOC 3:	LOC 4:
LOC 5:	LOC 6:
LOC 7:	LOC 8:
CUSTOMER EQP'T. TAG:	

NOTE: MATERIAL SHOWN IS FOR (1) SET.

OTHER MATERIALS, COMPOUNDS, OR FINISHES WITH EQUAL OR SUPERIOR PROPERTIES MAY BE SUBSTITUTED AS THEY BECOME AVAILABLE.

CERTIFIED FOR:

JOB NAME: _____

CUSTOMER: _____

CUSTOMER P.O.: _____

SALES ORDER: _____

**MODEL HSP-1D 85-1360 LBS.
SPRING POSITIONING HANGERS
1 INCH DEFLECTION**



THE VMC GROUP
The Power of Together
Bloomington, NJ 07403
Houston, TX 77041

SCALE:

NONE

SHEET:



DRAWING NO.:

REVISION