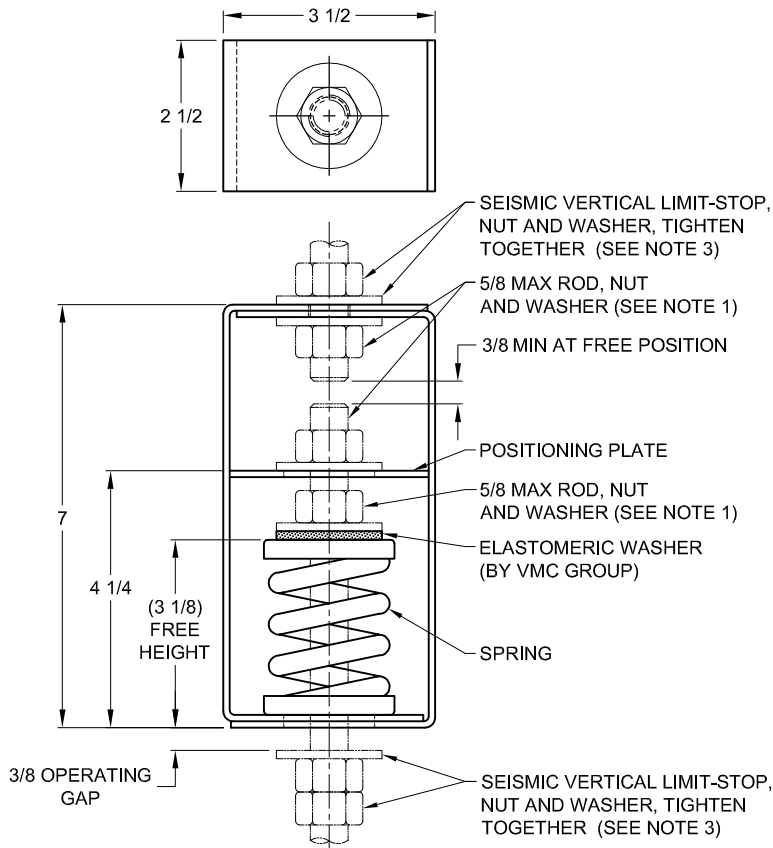
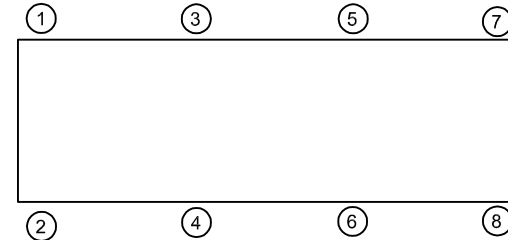


| REV. | DESCRIPTION | DATE | BY |
|------|-------------|------|----|
|      |             |      |    |



| TYPE HSP-1C SPRING POSITIONING HANGERS FOR 1" NOMINAL DEFLECTION |                  |                 |                      |                   |
|--|------------------|-----------------|----------------------|-------------------|
| HANGER   | RATED LOAD (LBS) | DEFLECTION (IN) | SPRING RATE (LBS/IN) | SPRING COLOR CODE |
| HSP-1C-50  | 50               | 1.00            | 50                   | BLUE              |
| HSP-1C-100   | 100              | 1.00            | 100                  | TAN               |
| HSP-1C-150   | 150              | 1.00            | 150                  | RED               |
| HSP-1C-250   | 250              | 0.83            | 300                  | BLACK             |
| HSP-1C-300   | 300              | 0.75            | 400                  | DK YELLOW         |
| HSP-1C-370   | 370              | 0.75            | 493                  | YELLOW            |



**NOTES:**

- HANGER RODS, NUTS AND WASHERS, AS SHOWN, NOT BY THE VMC GROUP.
- STANDARD FINISH: HANGER BOX - PAINTED, POWDER COATED OR GALVANIZED STEEL, SPRING - POWDER COAT.
- SEISMIC VERTICAL LIMIT-STOP REQUIRED FOR SEISMIC APPLICATIONS. NOT BY THE VMC GROUP. INSTALL WASHER .134 THK. MIN. X 1-3/4 O.D. MIN. WITH REQUIRED INSIDE DIAMETER TO ACCOMMODATE ROD SIZE IN USE. THIS CAN BE ACCOMPLISHED BY USING A SINGLE WASHER OR BY STACKING NOT MORE THAN TWO WASHERS.
- ALL DIMENSIONS IN INCHES. INTERPRET PER ANSI Y14.
- ALL DIMENSIONS ARE FOR REFERENCE, DIMENSIONS SHOWN AS NOMINAL.
- ALL SPRINGS ARE DESIGNED WITH MINIMUM 50% OVER-TRAVEL.
- RATED DEFLECTIONS ARE WITHIN 25% OF NOMINAL. HIGHER DEFLECTIONS ARE ALLOWED IF THEY MEET SPECIFICATIONS.

**ISOLATOR SELECTIONS**

|                      |        |
|----------------------|--------|
| LOC 1:               | LOC 2: |
| LOC 3:               | LOC 4: |
| LOC 5:               | LOC 6: |
| LOC 7:               | LOC 8: |
| CUSTOMER EQP'T. TAG: |        |

NOTE: MATERIAL SHOWN IS FOR (1) SET.

OTHER MATERIALS, COMPOUNDS, OR FINISHES WITH EQUAL OR SUPERIOR PROPERTIES MAY BE SUBSTITUTED AS THEY BECOME AVAILABLE.

**CERTIFIED FOR:**

JOB NAME: \_\_\_\_\_  
 CUSTOMER : \_\_\_\_\_  
 CUSTOMER P.O.: \_\_\_\_\_  
 SALES ORDER: \_\_\_\_\_

**MODEL HSP-1C 50-370 LBS.  
 SPRING POSITIONING HANGERS  
 1 INCH DEFLECTION**



**THE VMC GROUP**  
*The Power of Together*  
 Bloomingdale, NJ 07403  
 Houston, TX 77041

SCALE :

NONE

SHEET:



DRAWING NO.:

REVISION