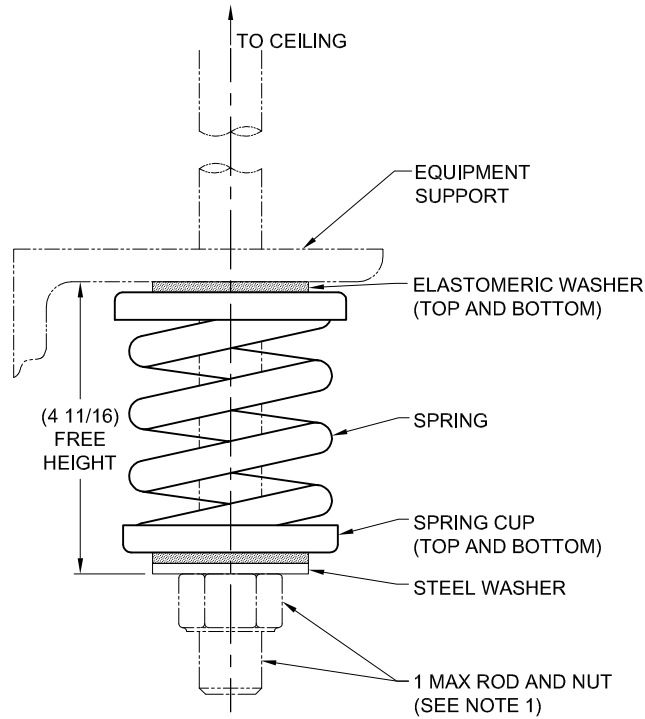


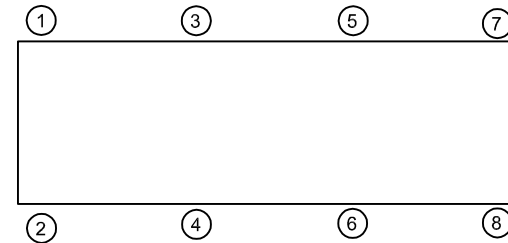
REV.	DESCRIPTION	DATE	BY



TYPE HSO-1E SPRING HANGERS FOR 1" NOMINAL DEFLECTION				
HANGER	RATED LOAD (LBS)	DEFLECTION (IN)	SPRING RATE (LB/IN)	SPRING COLOR CODE
HSO-1E-195	195	1.95	100	DK BLUE
HSO-1E-400	400	1.32	303	BLACK
HSO-1E-530N ¹	530	1.17	453	BLACK/ DK BLUE
HSO-1E-650	650	1.05	619	RED
HSO-1E-825N ¹	825	1.07	771	RED/ DK BLUE
HSO-1E-1000	1000	1.00	1000	TAN
HSO-1E-1200N ¹	1200	1.04	1154	TAN/ DK BLUE
HSO-1E-1400	1400	1.00	1400	PINK
HSO-1E-1700N ¹	1700	1.10	1545	PINK/ DK BLUE
HSO-1E-2000	2000	1.11	1802	WHITE
HSO-1E-2575N ¹	2575	1.11	2320	WHITE/DK PURPLE
HSO-1E-2990N ¹	2990	1.11	2694	WHITE/DK GREEN
HSO-1E-3250N ¹	3250	1.04	3125	WHITE/GRAY

NOTES:

1. TWO NESTED SPRINGS YIELD THIS LOAD. THE COLOR CODE IS FOR OUTER SPRING/ INNER SPRING.



NOTES:

- HANGER RODS AND NUTS, AS SHOWN, NOT BY THE VMC GROUP.
- STANDARD FINISH SPRING - POWDER COAT. HARDWARE: ZINC-ELECTROPLATE.
- ALL DIMENSIONS IN INCHES. INTERPRET PER ANSI Y14.
- ALL DIMENSIONS ARE FOR REFERENCE, DIMENSIONS SHOWN AS NOMINAL.
- ALL SPRINGS ARE DESIGNED WITH MINIMUM 50% OVER-TRAVEL.
- RATED DEFLECTIONS ARE WITHIN 25% OF NOMINAL. HIGHER DEFLECTIONS ARE ALLOWED IF THEY MEET SPECIFICATIONS.

ISOLATOR SELECTIONS

LOC 1:	LOC 2:
LOC 3:	LOC 4:
LOC 5:	LOC 6:
LOC 7:	LOC 8:
CUSTOMER EQP'T. TAG:	

NOTE: MATERIAL SHOWN IS FOR (1) SET.

OTHER MATERIALS, COMPOUNDS, OR FINISHES WITH EQUAL OR SUPERIOR PROPERTIES MAY BE SUBSTITUTED AS THEY BECOME AVAILABLE.

CERTIFIED FOR:

JOB NAME: _____
 CUSTOMER: _____
 CUSTOMER P.O.: _____
 SALES ORDER: _____

**MODEL HSO-1E 195-3250 LBS.
 SPRING HANGERS
 1 INCH DEFLECTION**



THE VMC GROUP
The Power of Together
 Bloomingdale, NJ 07403
 Houston, TX 77041

SCALE:
NONE

SHEET:



DRAWING NO.:

REVISION