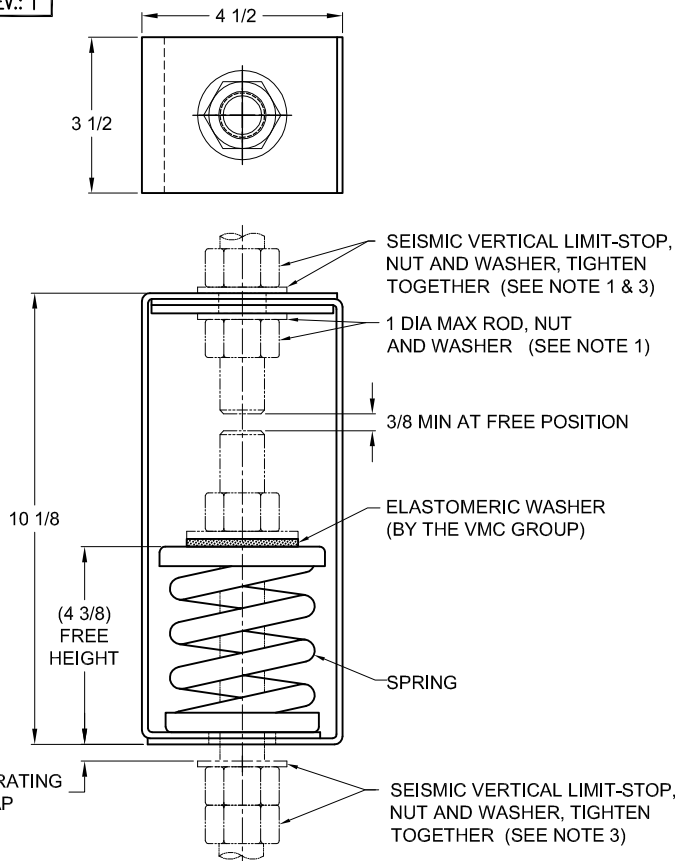


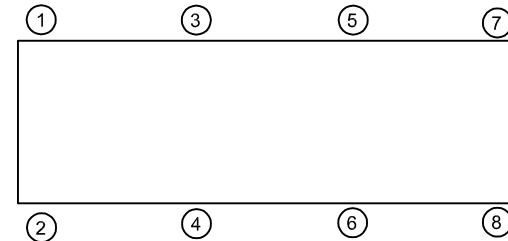
REV.	DESCRIPTION	DATE	BY



TYPE HS-1E PRE-COMPRESSED SPRING HANGERS FOR 1" NOMINAL DEFLECTION				
HANGER	RATED LOAD (LBS)	DEFLECTION (IN)	SPRING RATE (LB/IN)	SPRING COLOR CODE
HS-1E-195PR	195	1.95	100	DK BLUE
HS-1E-400PR	400	1.32	303	BLACK
HS-1E-530N <sup>1</sup> PR	530	1.17	453	BLACK/ DK BLUE
HS-1E-650PR	650	1.05	619	RED
HS-1E-825N <sup>1</sup> PR	825	1.07	771	RED/ DK BLUE
HS-1E-1000PR	1000	1.00	1000	TAN
HS-1E-1200N <sup>1</sup> PR	1200	1.04	1154	TAN/ DK BLUE
HS-1E-1400PR	1400	1.00	1400	PINK
HS-1E-1700N <sup>1</sup> PR	1700	1.10	1545	PINK/ DK BLUE
HS-1E-2000PR	2000	1.11	1802	WHITE
HS-1E-2575N <sup>1</sup> PR	2575	1.11	2320	WHITE/DK PURPLE
HS-1E-2990N <sup>1</sup> PR	2990	1.11	2694	WHITE/DK GREEN
HS-1E-3250N <sup>1</sup> PR	3250	1.04	3125	WHITE/GRAY

**NOTES:**

1. TWO NESTED SPRINGS YIELD THIS LOAD. THE COLOR CODE IS FOR OUTER SPRING/ INNER SPRING.



ISOLATOR SELECTIONS	
LOC 1:	LOC 2:
LOC 3:	LOC 4:
LOC 5:	LOC 6:
LOC 7:	LOC 8:
CUSTOMER EQP'T. TAG:	

NOTE: MATERIAL SHOWN IS FOR (1) SET.

OTHER MATERIALS, COMPOUNDS, OR FINISHES WITH EQUAL OR SUPERIOR PROPERTIES MAY BE SUBSTITUTED AS THEY BECOME AVAILABLE.

**NOTES:**

- HANGER RODS, NUTS AND WASHERS, AS SHOWN, NOT BY THE VMC GROUP. INSTALL WASHER .134 THK. MIN. X 2 O.D. MIN WITH REQUIRED INSIDE DIAMETER TO ACCOMMODATE ROD SIZE IN USE. THIS CAN BE ACCOMPLISHED BY USING A SINGLE WASHER OR BY STACKING NOT MORE THAN TWO WASHERS.
- STANDARD FINISH: HANGER BOX - PAINTED, POWDER COATED OR GALVANIZED STEEL, SPRING - POWDER COAT.
- SEISMIC VERTICAL LIMIT-STOP REQUIRED FOR SEISMIC APPLICATIONS.
- ALL DIMENSIONS IN INCHES. INTERPRET PER ANSI Y14.
- ALL DIMENSIONS ARE FOR REFERENCE, DIMENSIONS SHOWN AS NOMINAL.
- ALL SPRINGS ARE DESIGNED WITH MINIMUM 50% OVER-TRAVEL.
- HANGER BOXES ARE AVAILABLE PRE-COMPRESSED UP TO THEIR DESIGNATED MAX. LOAD. PERCENTAGE OF PRE-COMPRESSSION TO BE DETERMINED BY ENGINEERED APPLICATION OR AS REQUESTED BY CUSTOMER CONSULT FACTORY FOR POSSIBLE ADDITIONAL PARAMETERS AND OR LIMITATIONS.
- RATED DEFLECTIONS ARE WITHIN 25% OF NOMINAL. HIGHER DEFLECTIONS ARE ALLOWED IF THEY MEET SPECIFICATION S.

**CERTIFIED FOR:**

JOB NAME: \_\_\_\_\_  
 CUSTOMER : \_\_\_\_\_  
 CUSTOMER P.O.: \_\_\_\_\_  
 SALES ORDER: \_\_\_\_\_

MODEL HS-1E 195-3250 LBS.  
 PRE-COMPRESSED SPRING HANGERS  
 1 INCH DEFLECTION



**THE VMC GROUP**  
 The Power of Together  
 Bloomingdale, NJ 07403  
 Houston, TX 77041

SCALE : NONE  
 SHEET: 1 OF 1



DRAWING NO.: \_\_\_\_\_ REVISION \_\_\_\_\_