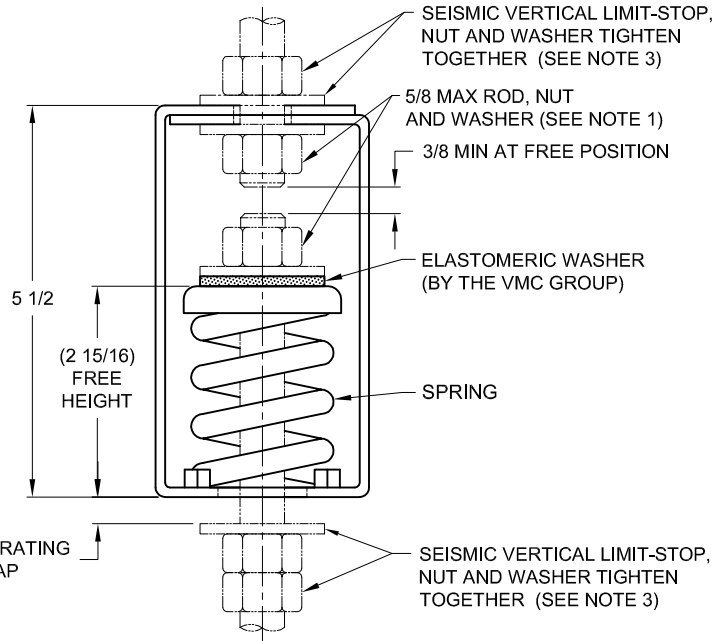
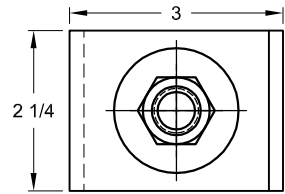
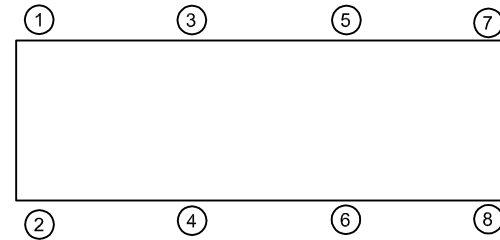


135R-101244 REV.: 5

| REV. | DESCRIPTION | DATE | BY |
|------|-------------|------|----|
| | | | |



| TYPE HS-1C SPRING HANGERS FOR 1" NOMINAL DEFLECTION | | | | |
|--|------------------|-----------------|----------------------|-------------------|
| HANGER | RATED LOAD (LBS) | DEFLECTION (IN) | SPRING RATE (LBS/IN) | SPRING COLOR CODE |
| HS-1C-50 | 50 | 1.00 | 50 | BLUE |
| HS-1C-100 | 100 | 1.00 | 100 | TAN |
| HS-1C-150 | 150 | 1.00 | 150 | RED |
| HS-1C-250 | 250 | 0.83 | 300 | BLACK |
| HS-1C-300 | 300 | 0.75 | 400 | DK YELLOW |
| HS-1C-370 | 370 | 0.75 | 493 | YELLOW |



NOTES:

- HANGER RODS, NUTS AND WASHERS, AS SHOWN, NOT BY THE VMC GROUP.
- STANDARD FINISH: HANGER BOX - PAINTED, POWDER COATED OR GALVANIZED STEEL, SPRING - POWDER COAT.
- SEISMIC VERTICAL LIMIT-STOP REQUIRED FOR SEISMIC APPLICATIONS. NOT BY THE VMC GROUP. INSTALL WASHER .134 THK. MIN. X 1-3/4 O.D. MIN WITH REQUIRED INSIDE DIAMETER TO ACCOMMODATE ROD SIZE IN USE. THIS CAN BE ACCOMPLISHED BY USING A SINGLE WASHER OR BY STACKING NOT MORE THAN TWO WASHERS.
- ALL DIMENSIONS IN INCHES. INTERPRET PER ANSI Y14.
- ALL DIMENSIONS ARE FOR REFERENCE, DIMENSIONS SHOWN AS NOMINAL.
- ALL SPRINGS ARE DESIGNED WITH MINIMUM 50% OVER-TRAVEL.
- HANGER BOXES ARE AVAILABLE PRE-COMPRESSED UP TO THEIR DESIGNATED MAX. LOAD. PERCENTAGE OF PRE-COMPRESSION TO BE DETERMINED BY ENGINEERED APPLICATION OR AS REQUESTED BY CUSTOMER. CONSULT FACTORY FOR POSSIBLE ADDITIONAL PARAMETERS AND OR LIMITATIONS.
- RATED DEFLECTIONS ARE WITHIN 25% OF NOMINAL. HIGHER DEFLECTIONS ARE ALLOWED IF THEY MEET SPECIFICATIONS.

ISOLATOR SELECTIONS

| | |
|----------------------|--------|
| LOC 1: | LOC 2: |
| LOC 3: | LOC 4: |
| LOC 5: | LOC 6: |
| LOC 7: | LOC 8: |
| CUSTOMER EQP'T. TAG: | |

NOTE: MATERIAL SHOWN IS FOR (1) SET.

OTHER MATERIALS, COMPOUNDS, OR FINISHES WITH EQUAL OR SUPERIOR PROPERTIES MAY BE SUBSTITUTED AS THEY BECOME AVAILABLE.

CERTIFIED FOR:

JOB NAME: _____
 CUSTOMER : _____
 CUSTOMER P.O.: _____
 SALES ORDER: _____

**MODEL HS-1C 50-370 LBS.
 SPRING HANGERS
 1 INCH DEFLECTION**



THE VMC GROUP
The Power of Together
 Bloomingdale, NJ 07403
 Houston, TX 77041

SCALE:

NONE

SHEET:



DRAWING NO.:

REVISION