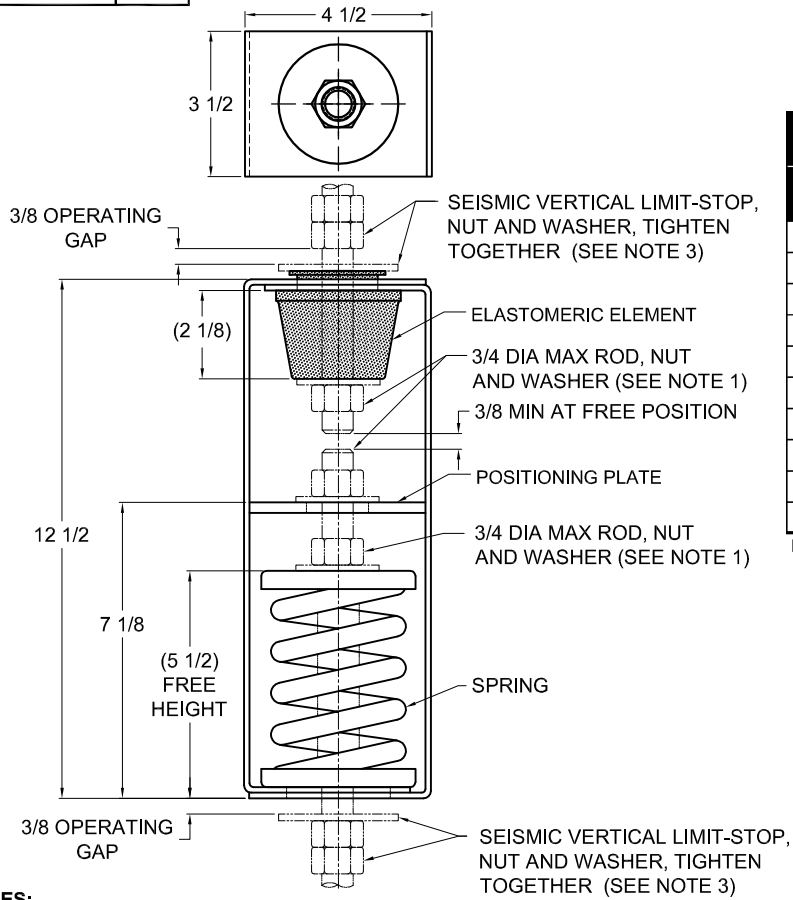


REV.	DESCRIPTION	DATE	BY



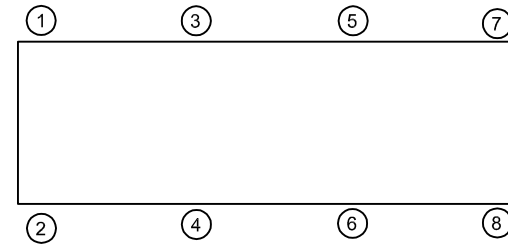
TYPE HRSP-2D ELASTOMERIC & SPRING POSITIONING HANGERS FOR 2" NOMINAL DEFLECTION					
HANGER	RATED LOAD (LBS)	DEFLECTION (IN)	SPRING RATE (LB/IN)	SPRING COLOR CODE	ELEMENT COLOR CODE
HRSP-2D-75	75	2.52	31	WHITE	RE-C-380 BLACK
HRSP-2D-160	160	2.50	70	YELLOW	RE-C-380 BLACK
HRSP-2D-230	230	2.60	100	GREEN	RE-C-380 BLACK
HRSP-2D-355	355	2.62	165	DK BROWN	RE-C-380 BLACK
HRSP-2D-435	435	2.31	230	RED	RE-C-520 RED
HRSP-2D-600N ¹	600	2.24	319	RED/ BLACK	RE-C-840 GREEN
HRSP-2D-725	725	2.04	450	TAN	RE-C-840 GREEN
HRSP-2D-845	845	1.99	570	PINK	RE-C-840 GREEN
HRSP-2D-1000N ¹	1000	2.16	592	PINK/ BLACK	RE-C-1070 GRAY
HRSP-2D-1320N ¹	1320	1.87	857	PINK/GRAY	RE-C-2000 BLUE

NOTES:

1. TWO NESTED SPRINGS YIELD THIS LOAD. THE COLOR CODE INDICATED IS FOR OUTER SPRING/ INNER SPRING.

NOTES:

- HANGER RODS, NUTS AND WASHERS, AS SHOWN, NOT BY THE VMC GROUP.
- STANDARD FINISH: HANGER BOX - PAINTED, POWDER COATED OR GALVANIZED STEEL, SPRING - POWDER COAT.
- SEISMIC VERTICAL-STOP REQUIRED FOR SEISMIC APPLICATIONS. NOT BY THE VMC GROUP. INSTALL WASHER .16 THK. MIN. X 2-7/8 O.D. MIN WITH REQUIRED INSIDE DIAMETER TO ACCOMMODATE ROD SIZE IN USE. THIS CAN BE ACCOMPLISHED BY USING A SINGLE WASHER OR BY STACKING NOT MORE THAN TWO WASHERS.
- ALL DIMENSIONS IN INCHES. INTERPRET PER ANSI Y14.
- ALL DIMENSIONS ARE FOR REFERENCE, DIMENSIONS SHOWN AS NOMINAL.
- ALL SPRINGS ARE DESIGNED WITH MINIMUM 50% OVER-TRAVEL.
- HANGER BOXES WITH AN ELASTOMERIC ELEMENT HAVE UP TO AN ADDITIONAL 1/2" NOMINAL DEFLECTION
- RATED DEFLECTIONS ARE WITHIN 25% OF NOMINAL. HIGHER DEFLECTIONS ARE ALLOWED IF THEY MEET SPECIFICATIONS.



ISOLATOR SELECTIONS

LOC 1:	LOC 2:
LOC 3:	LOC 4:
LOC 5:	LOC 6:
LOC 7:	LOC 8:
CUSTOMER EQP'T. TAG:	

NOTE: MATERIAL SHOWN IS FOR (1) SET.

OTHER MATERIALS, COMPOUNDS, OR FINISHES WITH EQUAL OR SUPERIOR PROPERTIES MAY BE SUBSTITUTED AS THEY BECOME AVAILABLE.

CERTIFIED FOR:

JOB NAME: _____
 CUSTOMER : _____
 CUSTOMER P.O.: _____
 SALES ORDER: _____

**MODEL HRSP-2D 75-1320 LBS.
 ELASTOMERIC AND SPRING POSITIONING
 HANGERS
 2 INCH DEFLECTION**



THE VMC GROUP
The Power of Together
 Bloomingdale, NJ 07403
 Houston, TX 77041

SCALE :

NONE

SHEET:



DRAWING NO.:

REVISION