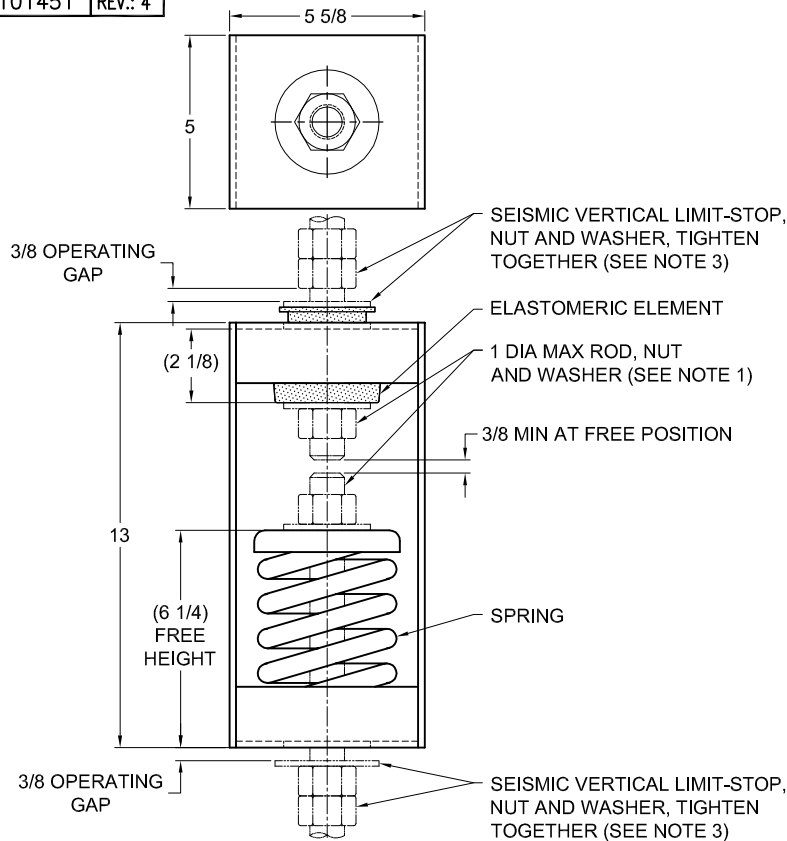


REV.	DESCRIPTION	DATE	BY



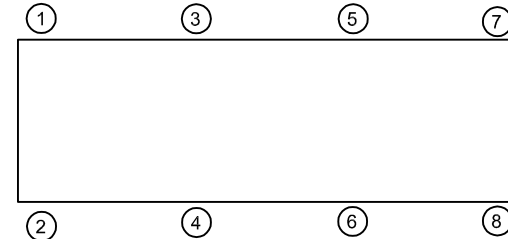
TYPE HRS-2E ELASTOMERIC & SPRING HANGERS FOR 2" NOMINAL DEFLECTION					
HANGER	RATED LOAD (LBS)	DEFLECTION (IN)	SPRING RATE (LB/IN)	SPRING COLOR CODE	ELEMENT COLOR CODE
HRS-2E-80	80	2.05	40	BLACK	RE-D-750 BLACK
HRS-2E-150	150	2.10	75	GREEN	RE-D-750 BLACK
HRS-2E-300	300	2.20	150	DK YELLOW	RE-D-750 BLACK
HRS-2E-500	500	2.33	250	BLUE	RE-D-750 BLACK
HRS-2E-776N ¹	776	2.29	388	BLUE/BLACK	RE-D-1350 RED
HRS-2E-1000	1000	2.37	500	TAN	RE-D-1350 RED
HRS-2E-1400	1400	2.24	749	RED	RE-D-1900 GREEN
HRS-2E-1600N ¹	1600	2.55	750	TAN/RED	RE-D-1900 GREEN
HRS-2E-1800	1800	2.18	1053	DK GRAY	RE-D-1900 GREEN
HRS-2E-2050	2050	1.98	1250	DK BLUE	RE-D-3050 GRAY
HRS-2E-2250N ¹	2250	1.99	1389	DK BLUE/BLACK	RE-D-3050 GRAY
HRS-2E-2460N ¹	2460	2.04	1500	DK BLUE/RED	RE-D-3050 GRAY
HRS-2E-2700N ¹	2700	2.08	1646	DK BLUE/ DK GREEN	RE-D-3050 GRAY

NOTES:

1. TWO NESTED SPRINGS YIELD THIS LOAD. THE COLOR CODE INDICATED IS FOR OUTER SPRING/ INNER SPRING.

NOTES:

- HANGER RODS, NUTS AND WASHERS, AS SHOWN, NOT BY THE VMC GROUP.
- STANDARD FINISH: HANGER BOX - PAINTED, POWDER COATED OR GALVANIZED STEEL , SPRING - POWDER COAT.
- SEISMIC VERTICAL LIMIT-STOP HARDWARE REQUIRED FOR SEISMIC APPLICATIONS, NOT BY THE VMC GROUP. INSTALL WASHER .16 THK. MIN. X 3 O.D. MIN. WITH REQUIRED INSIDE DIAMETER TO ACCOMMODATE ROD SIZE IN USE. THIS CAN BE ACCOMPLISHED BY USING A SINGLE WASHER OR BY STACKING NOT MORE THAN TWO WASHERS.
- ALL DIMENSIONS IN INCHES. INTERPRET PER ANSI Y14.
- ALL DIMENSIONS ARE FOR REFERENCE, DIMENSIONS SHOWN AS NOMINAL.
- ALL SPRINGS ARE DESIGNED WITH MINIMUM 50% OVER-TRAVEL.
- HANGER BOXES ARE AVAILABLE PRE-COMPRESSED UP TO THEIR DESIGNATED MAX. LOAD. PERCENTAGE OF PRE-COMPRESSION TO BE DETERMINED BY ENGINEERED APPLICATION OR AS REQUESTED BY CUSTOMER. CONSULT FACTORY FOR POSSIBLE ADDITIONAL PARAMETERS AND OR LIMITATIONS.
- HANGER BOXES WITH AN ELASTOMERIC ELEMENT HAVE UP TO AN ADDITIONAL 1/2" NOMINAL DEFLECTION.
- RATED DEFLECTIONS ARE WITHIN 25% OF NOMINAL. HIGHER DEFLECTIONS ARE ALLOWED IF THEY MEET SPECIFICATIONS.



ISOLATOR SELECTIONS

LOC 1:	LOC 2:
LOC 3:	LOC 4:
LOC 5:	LOC 6:
LOC 7:	LOC 8:
CUSTOMER EQP'T. TAG:	

NOTE: MATERIAL SHOWN IS FOR (1) SET.

OTHER MATERIALS, COMPOUNDS, OR FINISHES WITH EQUAL OR SUPERIOR PROPERTIES MAY BE SUBSTITUTED AS THEY BECOME AVAILABLE.

CERTIFIED FOR:

JOB NAME: _____
 CUSTOMER : _____
 CUSTOMER P.O.: _____
 SALES ORDER: _____

**MODEL HRS-2E 80-2700 LBS.
 ELASTOMERIC AND SPRING HANGERS
 2 INCH DEFLECTION**



THE VMC GROUP
The Power of Together
 Bloomingdale, NJ 07403
 Houston, TX 77041

SCALE : NONE	
SHEET:	
DRAWING NO.:	REVISION