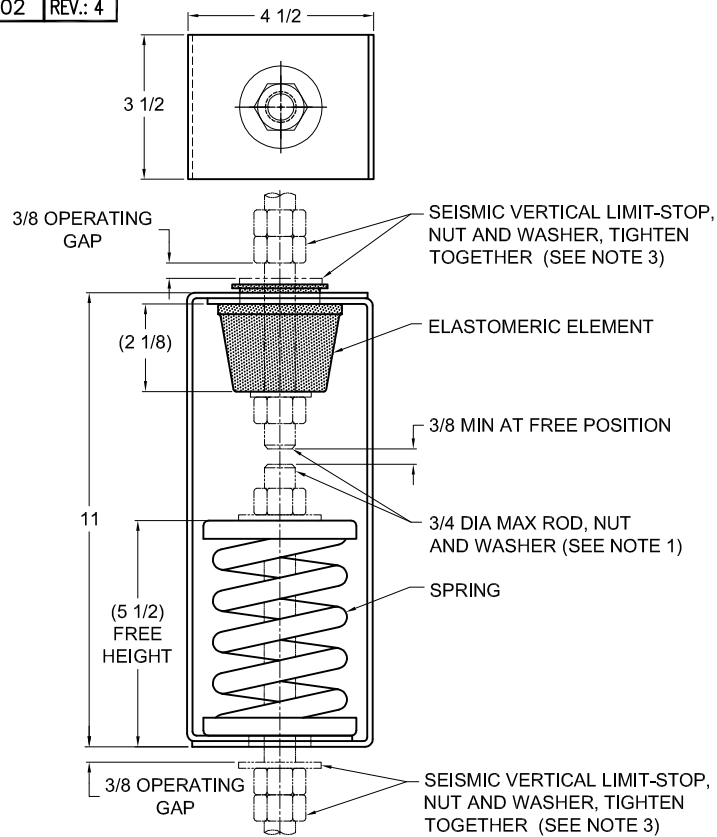


REV.	DESCRIPTION	DATE	BY

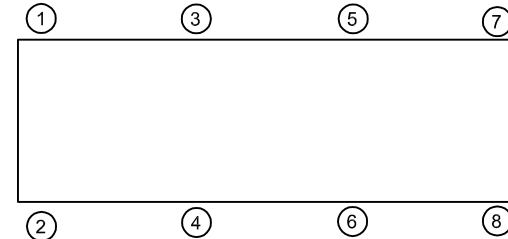


**TYPE HRS-2D ELASTOMERIC & SPRING HANGERS FOR 2" NOMINAL DEFLECTION**

HANGER	RATED LOAD (LBS)	DEFLECTION (IN)	SPRING RATE (LB/IN)	SPRING COLOR CODE	ELEMENT COLOR CODE
HRS-2D-75	75	2.52	31	WHITE	RE-C-380 BLACK
HRS-2D-160	160	2.50	70	YELLOW	RE-C-380 BLACK
HRS-2D-230	230	2.60	100	GREEN	RE-C-380 BLACK
HRS-2D-355	355	2.62	165	DK BROWN	RE-C-380 BLACK
HRS-2D-435	435	2.31	230	RED	RE-C-520 RED
HRS-2D-600N <sup>1</sup>	600	2.24	319	RED/ BLACK	RE-C-840 GREEN
HRS-2D-725	725	2.04	450	TAN	RE-C-840 GREEN
HRS-2D-845	845	1.99	570	PINK	RE-C-840 GREEN
HRS-2D-1000N <sup>1</sup>	1000	1.94	592	PINK/ BLACK	RE-C-2000 BLUE
HRS-2D-1320N <sup>1</sup>	1320	1.87	857	PINK/GRAY	RE-C-2000 BLUE

**NOTES:**  
 1. TWO NESTED SPRINGS YIELD THIS LOAD. THE COLOR CODE INDICATED IS FOR OUTER SPRING/ INNER SPRING.

- NOTES:**
- HANGER RODS, NUTS AND WASHERS, AS SHOWN, NOT BY THE VMC GROUP.
  - STANDARD FINISH: HANGER BOX - PAINTED, POWDER COATED OR GALVANIZED STEEL, SPRING - POWDER COAT.
  - SEISMIC VERTICAL LIMIT-STOP HARDWARE REQUIRED FOR SEISMIC APPLICATIONS, NOT BY THE VMC GROUP. INSTALL WASHER .148 THK. MIN. X 2 O.D. MIN. WITH REQUIRED INSIDE DIAMETER TO ACCOMMODATE ROD SIZE IN USE. THIS CAN BE ACCOMPLISHED BY USING A SINGLE WASHER OR BY STACKING NOT MORE THAN TWO WASHERS.
  - ALL DIMENSIONS IN INCHES. INTERPRET PER ANSI Y14.
  - ALL DIMENSIONS ARE FOR REFERENCE, DIMENSIONS SHOWN AS NOMINAL.
  - ALL SPRINGS ARE DESIGNED WITH MINIMUM 50% OVER-TRAVEL.
  - HANGER BOXES ARE AVAILABLE PRE-COMPRESSED UP TO THEIR DESIGNATED MAX. LOAD. PERCENTAGE OF PRE-COMPRESSION TO BE DETERMINED BY ENGINEERED APPLICATION OR AS REQUESTED BY CUSTOMER. CONSULT FACTORY FOR POSSIBLE ADDITIONAL PARAMETERS AND OR LIMITATIONS.
  - HANGER BOXES WITH AN ELASTOMERIC ELEMENT HAVE UP TO AN ADDITIONAL 1/2" NOMINAL DEFLECTION
  - RATED DEFLECTIONS ARE WITHIN 25% OF NOMINAL. HIGHER DEFLECTIONS ARE ALLOWED IF THEY MEET SPECIFICATIONS.



**ISOLATOR SELECTIONS**

LOC 1:	LOC 2:
LOC 3:	LOC 4:
LOC 5:	LOC 6:
LOC 7:	LOC 8:
CUSTOMER EQP'T. TAG:	

NOTE: MATERIAL SHOWN IS FOR (1) SET.

OTHER MATERIALS, COMPOUNDS, OR FINISHES WITH EQUAL OR SUPERIOR PROPERTIES MAY BE SUBSTITUTED AS THEY BECOME AVAILABLE.

**CERTIFIED FOR:**

JOB NAME: \_\_\_\_\_

CUSTOMER: \_\_\_\_\_

CUSTOMER P.O.: \_\_\_\_\_

SALES ORDER: \_\_\_\_\_

**MODEL HRS-2D 75-1320 LBS.  
 ELASTOMERIC AND SPRING HANGERS  
 2 INCH DEFLECTION**



**THE VMC GROUP**  
*The Power of Together*  
 Bloomingdale, NJ 07403  
 Houston, TX 77041

SCALE:	NONE	
SHEET:		
DRAWING NO.:		REVISION