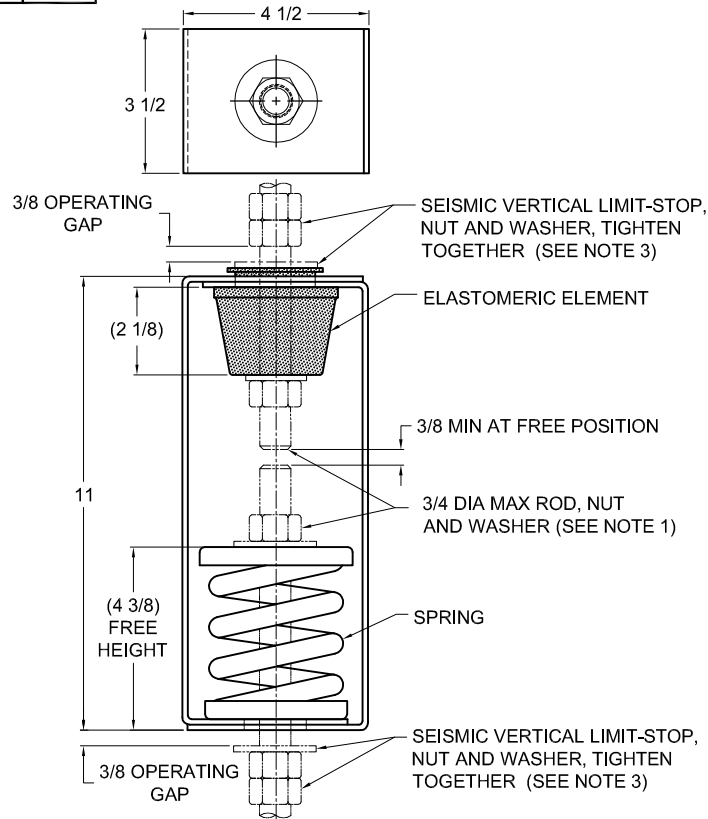


REV.	DESCRIPTION	DATE	BY



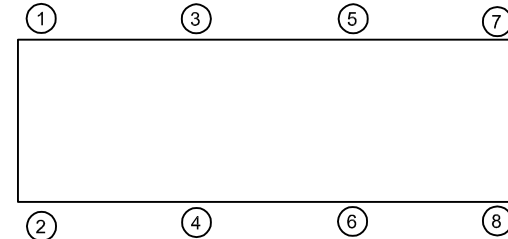
TYPE HRS-1E ELASTOMERIC & SPRING HANGERS FOR 1" NOMINAL DEFLECTION					
HANGER	RATED LOAD (LBS)	DEFLECTION (IN)	SPRING RATE (LB/IN)	SPRING COLOR CODE	ELEMENT LOAD & COLOR CODE
HRS-1E-195	195	2.21	100	DK BLUE	RE-C-380 BLACK
HRS-1E-400	400	1.70	303	BLACK	RE-C-520 RED
HRS-1E-530N ¹	530	1.49	453	BLACK/ DK BLUE	RE-C-840 GREEN
HRS-1E-650	650	1.44	619	RED	RE-C-840 GREEN
HRS-1E-825N ¹	825	1.56	771	RED/ DK BLUE	RE-C-840 GREEN
HRS-1E-1000	1000	1.47	1000	TAN	RE-C-1070 GRAY
HRS-1E-1200N ¹	1200	1.34	1154	TAN/ DK BLUE	RE-C-2000 BLUE
HRS-1E-1400	1400	1.35	1400	PINK	RE-C-2000 BLUE
HRS-1E-1700N ¹	1700	1.53	1545	PINK/ DK BLUE	RE-C-2000 BLUE
HRS-1E-2000	2000	1.61	1802	WHITE	RE-C-2000 BLUE
HRS-1E-2330N ¹	2330	1.11	2100	WHITE/ RED	RE-C-2000 BLUE

NOTES:

1. TWO NESTED SPRINGS YIELD THIS LOAD. THE COLOR CODE IS FOR OUTER SPRING/ INNER SPRING.

NOTES:

- HANGER RODS, NUTS AND WASHERS, AS SHOWN, NOT BY THE VMC GROUP.
- STANDARD FINISH: HANGER BOX - PAINTED, POWDER COATED OR GALVANIZED STEEL, SPRING - POWDER COAT.
- SEISMIC VERTICAL LIMIT-STOP HARDWARE REQUIRED FOR SEISMIC APPLICATIONS, NOT BY THE VMC GROUP. INSTALL WASHER .148 THK. MIN. X 2 O.D. MIN. WITH REQUIRED INSIDE DIAMETER TO ACCOMMODATE ROD SIZE IN USE. THIS CAN BE ACCOMPLISHED BY USING A SINGLE WASHER OR BY STACKING NOT MORE THAN TWO WASHERS.
- ALL DIMENSIONS IN INCHES. INTERPRET PER ANSI Y14.
- ALL DIMENSIONS ARE FOR REFERENCE, DIMENSIONS SHOWN AS NOMINAL.
- ALL SPRINGS ARE DESIGNED WITH MINIMUM 50% OVER-TRAVEL.
- HANGER BOXES ARE AVAILABLE PRE-COMPRESSED UP TO THEIR DESIGNATED MAX. LOAD. PERCENTAGE OF PRE-COMPRESSION TO BE DETERMINED BY ENGINEERED APPLICATION OR AS REQUESTED BY CUSTOMER CONSULT FACTORY FOR POSSIBLE ADDITIONAL PARAMETERS AND OR LIMITATIONS.
- HANGER BOXES WITH AN ELASTOMERIC ELEMENT HAVE UP TO AN ADDITIONAL 1/2" NOMINAL DEFLECTION
- RATED DEFLECTIONS ARE WITHIN 25% OF NOMINAL. HIGHER DEFLECTIONS ARE ALLOWED IF THEY MEET SPECIFICATION



ISOLATOR SELECTIONS

LOC 1:	LOC 2:
LOC 3:	LOC 4:
LOC 5:	LOC 6:
LOC 7:	LOC 8:
CUSTOMER EQP'T. TAG:	

NOTE: MATERIAL SHOWN IS FOR (1) SET.

OTHER MATERIALS, COMPOUNDS, OR FINISHES WITH EQUAL OR SUPERIOR PROPERTIES MAY BE SUBSTITUTED AS THEY BECOME AVAILABLE.

CERTIFIED FOR:

JOB NAME: _____
 CUSTOMER: _____
 CUSTOMER P.O.: _____
 SALES ORDER: _____

MODEL HRS-1E 195-2330 LBS.
 ELASTOMERIC AND SPRING HANGERS
 1 INCH DEFLECTION



THE VMC GROUP
 The Power of Together
 Bloomingdale, NJ 07403
 Houston, TX 77041

SCALE:

NONE

SHEET:



DRAWING NO.:

REVISION