

REV.	DESCRIPTION	DATE	BY

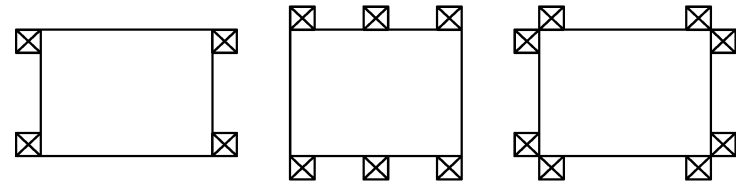
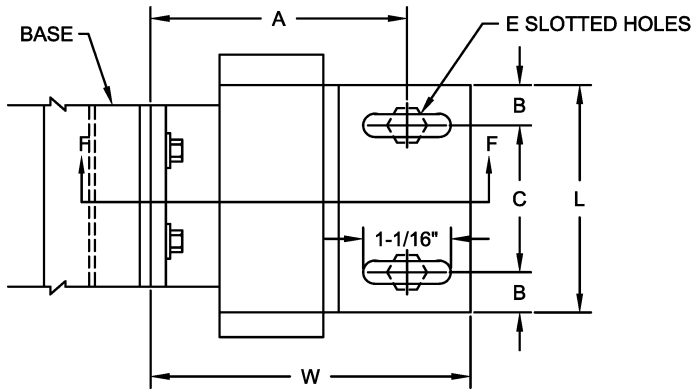
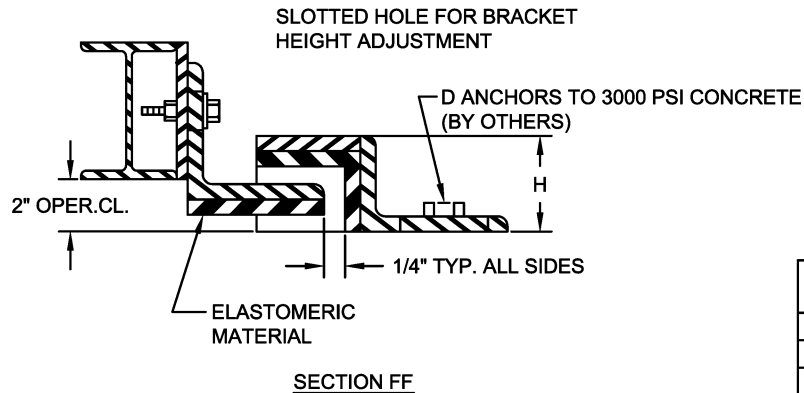


FIGURE 1 (4 RESTRAINTS) FIGURE 2 (6 RESTRAINTS) FIGURE 3 (8 RESTRAINTS)  
 RESTRAINT LAYOUT - STRUCTURAL STEEL BASES (PLAN VIEW)



**NOTES**

- 1) LOAD RATINGS ARE MAXIMUM ALLOWABLES BASED ON 1.00 G ACCELERATION.
- 2) ANCHORS TO CONCRETE MUST BE ITW RAMSET/RED HEAD OR EQUIVALENT.
- 3) CONTRACTOR TO FIELD WELD CONCRETE ANCHORS TO BODY OF RESTRAINT AND ANGLE CLIP TO BASE AFTER EQUIPMENT IS IN FINAL OPERATING POSITION.
- 4) MAXIMUM LOAD IS TOTAL OF EQUIPMENT AND BASE WEIGHT.

RESTRAINT MODEL	MAX LOAD (LB)			DIMENSIONS (IN)							
	FIG.1	FIG.2	FIG.3	A	B	C	D	E	H	L	W
ER-A-2	1300	1975	2625	3-3/4	3/4	2-1/2	3/8	7/16	1-1/2	4	4-1/2
ER-B-2	2400	3625	5575	4	3/4	3-1/2	3/8	7/16	1-5/8	5	5-1/2
ER-C-2	3450	5175	7975	4	1	5	3/8	7/16	1-5/8	7	5-1/2
ER-D-2	4650	7000	10,650	6	1	6	1/2	9/16	2	8	7-1/2
ER-E-2	7900	11,850	15,800	6	1	9	5/8	11/16	2	11	7-1/2

OTHER MATERIALS, COMPOUNDS OR FINISHES WITH EQUAL OR SUPERIOR PROPERTIES MAY BE SUBSTITUTED AS THEY BECOME AVAILABLE.



**CERTIFIED FOR:**

JOB NAME: \_\_\_\_\_  
 CUSTOMER : \_\_\_\_\_  
 CUSTOMER P.O.: \_\_\_\_\_  
 SALES ORDER: \_\_\_\_\_

**MODEL ER-2 1300-15800 LBS. SNUBBED SEISMIC RESTRAINTS FOR STEEL BASE AND RAILS**



**THE VMC GROUP**  
*The Power of Together*  
 Bloomingdale, NJ 07403  
 Houston, TX 77041

SCALE:

NONE

SHEET:



DRAWING NO.:

REVISION