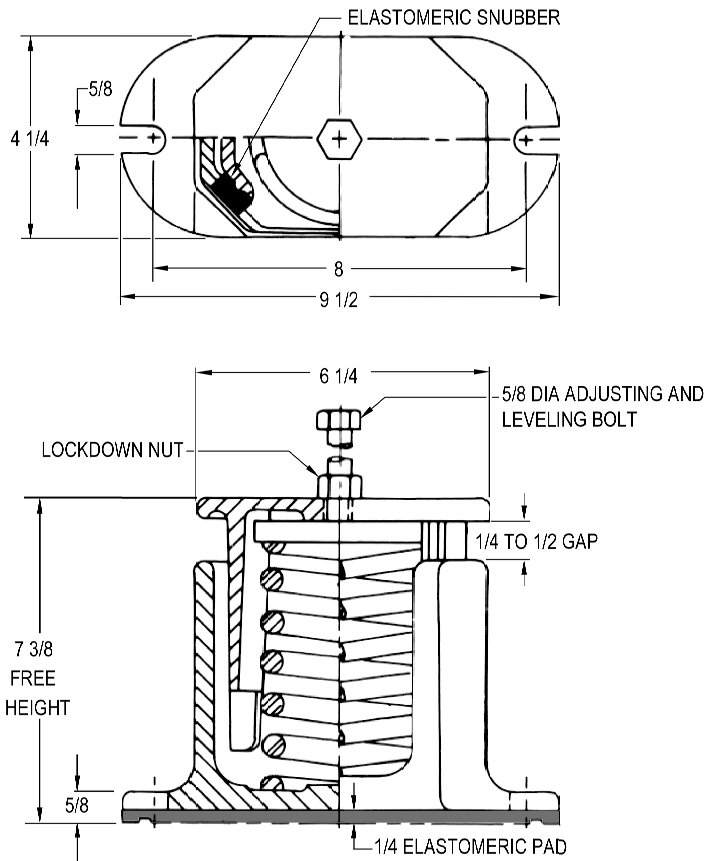


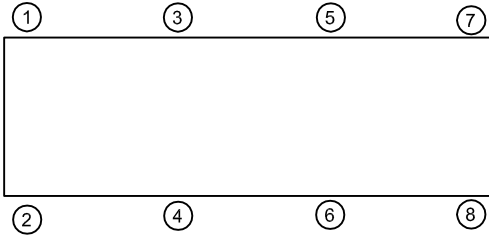
120R-101897 REV.: 9

REV.	DESCRIPTION	DATE	BY



TYPE DE-2F SPRING-FLEX ISOLATORS WITH EXTERNAL ADJUSTMENTS				
MODEL	RATED LOAD (LBS)	RATED DEFLECTION	SPRING RATE (LB/IN)	SPRING COLOR CODE
DE-2F-150	150	2.00	75	BLUE
DE-2F-276	276	2.00	138	BLACK
DE-2F-426N ¹	426	2.00	213	BLACK/BLUE
DE-2F-500	500	2.00	250	RED
DE-2F-650N ¹	650	2.00	325	RED/BLUE
DE-2F-776N ¹	776	2.00	388	RED/BLACK
DE-2F-1000	1000	2.00	500	GREEN
DE-2F-1276N ¹	1276	2.00	638	GREEN/BLACK
DE-2F-1400	1400	2.00	700	GRAY
DE-2F-1676N ¹	1676	2.00	838	GRAY/BLACK
DE-2F-1900N ¹	1900	2.00	950	GRAY/RED
DE-2F-2200N ¹	2200	2.00	1100	GREY/GREEN

NOTES:
 1. TWO NESTED SPRINGS YIELD THIS LOAD. THE COLOR CODE INDICATED IS FOR OUTER SPRING/ INNER SPRING.



ISOLATOR SELECTIONS	
LOC 1:	LOC 2:
LOC 3:	LOC 4:
LOC 5:	LOC 6:
LOC 7:	LOC 8:
CUSTOMER EQPT. TAG:	

NOTE: MATERIAL SHOWN IS FOR (1) SET.

OTHER MATERIALS, COMPOUNDS, OR FINISHES WITH EQUAL OR SUPERIOR PROPERTIES MAY BE SUBSTITUTED AS THEY BECOME AVAILABLE.

- NOTES:**
1. ALL DIMENSIONS ARE IN INCHES, INTERPRET PER ANSI Y14.
 2. FINISH: HOUSINGS-CAST IRON- ONE COAT BLACK PAINT, SPRINGS-POWER COAT, HARDWARE- ZINC ELECTROPLATE.
 3. REFER TO SHEET 2 OF 2 FOR INSTALLATION INSTRUCTIONS.
 4. INNER SPRING (WHEN USED) NOT SHOWN.
 5. MOST SPRINGS ARE DESIGNED WITH 50% OVER TRAVEL .
 6. RATED DEFLECTIONS ARE WITHIN 25% OF NOMINAL. HIGHER DEFLECTIONS ARE ALLOWED IF THEY MEET SPECIFICATIONS.

CERTIFIED FOR:

JOB NAME: _____

CUSTOMER : _____

CUSTOMER P.O.: _____

SALES ORDER: _____

**MODEL DE-2F 150-2200 LBS. OPEN
 SPRING-FLEX ISOLATORS SNUBBED WITH
 EXTERNAL ADJUSTMENTS
 2 INCH DEFLECTION**



SCALE: NONE

SHEET: _____

DRAWING NO.: _____

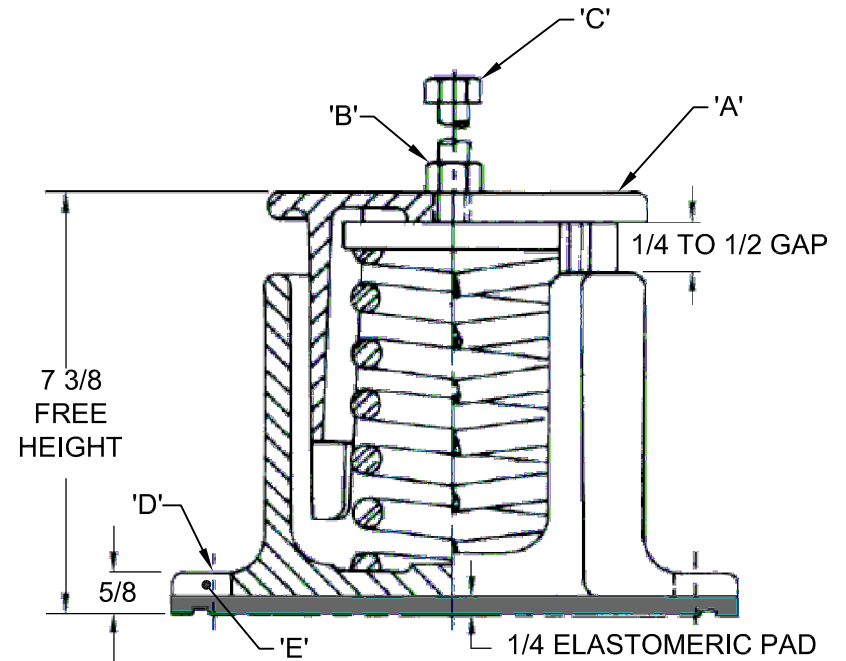
REVISION _____



REV.	DESCRIPTION	DATE	BY

INSTALLATION INSTRUCTION

- ISOLATORS ARE SHIPPED FULLY ASSEMBLED AND ARE TO BE SPACED AND ARRANGED IN ACCORDANCE WITH INSTALLATION DRAWINGS OR AS OTHERWISE RECOMMENDED.
- SET ISOLATORS ON FLOOR OR SUB-BASE, ENSURING THAT ALL ISOLATOR CENTERLINES MATCH THE EQUIPMENT ISOLATING HOLES. SHIM OR GROUT AS REQUIRED LEVELING ALL ISOLATOR BASE PLATES "E" AT THE SAME ELEVATION (1/4" MAXIMUM DIFFERENCE IN ELEVATION CAN BE TOLERATED). ISOLATOR BASE PLATES MUST REST ON A FLAT SURFACE.
- UNLESS SPECIFIED, ISOLATORS NEED NOT BE FASTENED TO FLOOR IN ANY WAY. IF REQUIRED, BOLT ISOLATING TO FLOOR THROUGH SLOTS "D". RECOMMENDED MAXIMUM TORQUING OF ISOLATOR BASE ANCHORS TO 5 FT-# AFTER EQUIPMENT IS INSTALLED.
- REMOVE ADJUSTING BOLT "C" WITH NUT "B" FROM TOP HOUSING "A". (DO NOT DISCARD.)
- PLACE MACHINE OR EQUIPMENT ONTO TOP PLATE "A" OF ISOLATOR. THE WEIGHT OF THE MACHINE WILL CAUSE THE UPPER HOUSING OF THE ISOLATOR TO GO DOWN, POSSIBLY RESTING ON THE LOWER HOUSING.
- ALIGN EQUIPMENT ISOLATING HOLE TO TOP HOUSING TAPPED HOLE.
- TURN NUTS "B" UP ON LEVELING BOLTS SO THAT THEY WILL NOT INTERFERE WITH THE LEVELING PROCEDURE. INSERT BOLTS "C" THROUGH THE HOLES IN MACHINE BASE AND SCREW INTO THE TAPPED HOLE IN THE UPPER HOUSING OF THE ISOLATOR BY HAND AS FAR AS THEY WILL GO.
- ADJUST EACH ISOLATOR IN SEQUENCE; SCREW DOWN ONE COMPLETE TURN ON THE ADJUSTING BOLT OF EACH ISOLATORS. ADJUST UNTIL 1/4" GAP IS OBTAINED ON ALL ISOLATORS.
- TURN NUT ON ADJUSTING BOLT "C" DOWN AGAINST MACHINE LEG AND LOCK IN PLACE WITH WRENCH TO COMPLETE ADJUSTMENTS.
- INSTALLATION IS COMPLETE.



OTHER MATERIALS, COMPOUNDS, OR FINISHES WITH EQUAL OR SUPERIOR PROPERTIES MAY BE SUBSTITUTED AS THEY BECOME AVAILABLE.

CERTIFIED FOR:

JOB NAME: _____
 CUSTOMER: _____
 CUSTOMER P.O.: _____
 SALES ORDER: _____

**MODEL DE-2F 150-2200 LBS. OPEN
 SPRING-FLEX ISOLATORS SNUBBED WITH
 EXTERNAL ADJUSTMENTS
 2 INCH DEFLECTION**



THE VMC GROUP
The Power of Together
 Bloomingdale, NJ 07403
 Houston, TX 77041

SCALE:
 NONE

SHEET: _____



DRAWING NO.: _____

REVISION