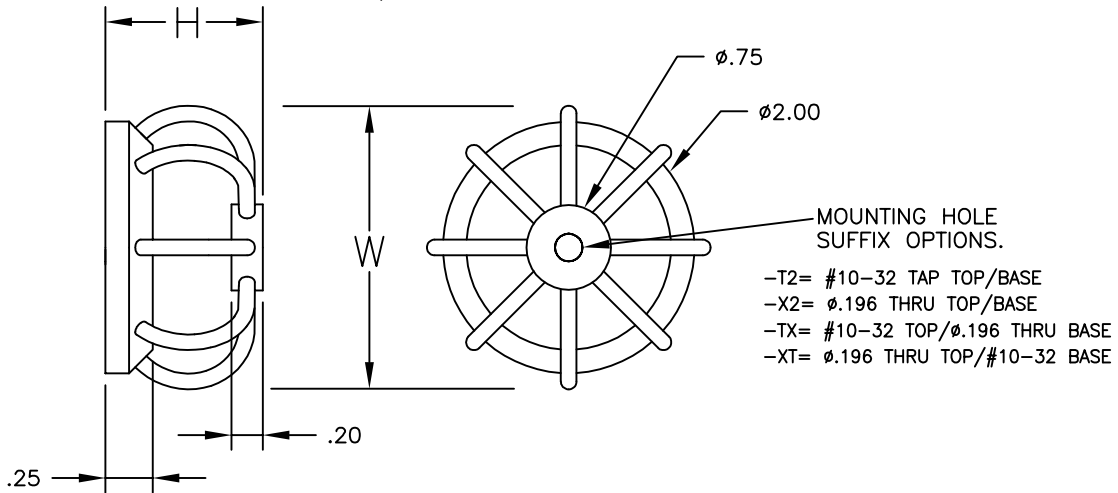


REV.	DESCRIPTION	DATE	BY

CA3 SERIES

3/32" WIRE ROPE



* CROSSED CABLE NOT PICTURED

ISOLATOR PART NO.	NOMINAL DIMENSIONS (in)		LOAD MODE	SHOCK AVERAGE K (lb/in)	VIBRATION AVERAGE K (lb/in)	MAX. RATED DYNAMIC TRAVEL (in)
	H±.06	W(REF)				
CA3-200-08-[]	1.35	2.45	COMPRESSION SHEAR 45 DEG. C/R	42 30 25	85 25 60	.40 .35 .65
CA3-250-08-[]	1.80	2.70	COMPRESSION SHEAR 45 DEG. C/R	20 8 10	45 8 30	.50 .60 .85
CA3-300-08-[]	2.15	2.90	COMPRESSION SHEAR 45 DEG. C/R	12 4 5	25 4 20	.60 .75 1.20
CAX3-[] (CROSSED CABLE)	1.70	3.00	COMPRESSION SHEAR 45 DEG. C/R	15 10 6	35 10 24	.55 .60 1.00

OTHER MATERIALS, COMPOUNDS, OR FINISHES WITH EQUAL OR SUPERIOR PROPERTIES MAY BE SUBSTITUTED AS THEY BECOME AVAILABLE.

CERTIFIED FOR:

JOB NAME: _____
 CUSTOMER: _____
 CUSTOMER P.O.: _____
 SALES ORDER: _____

**MODEL CA3 SERIES
 CIRCULAR WIRE ROPE
 ISOLATOR**



THE VMC GROUP
The Power of Together
 Bloomingdale, NJ 07403
 Houston, TX 77041

SCALE:
NONE
 SHEET:



DRAWING NO.: _____ REVISION