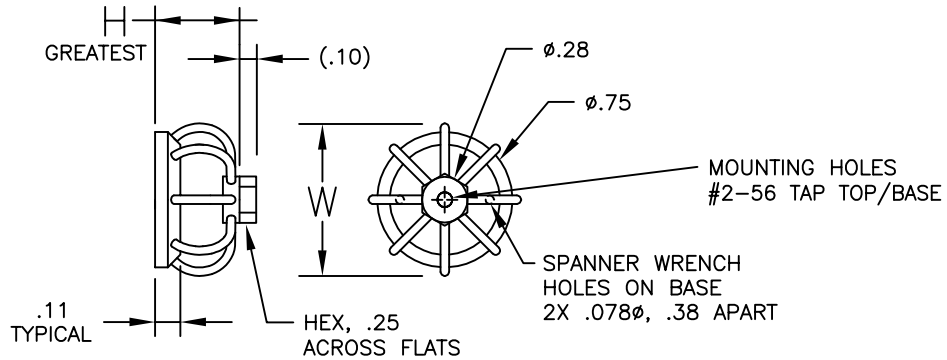


| REV. | DESCRIPTION | DATE | BY |
|------|-------------|------|----|
|      |             |      |    |

# CA1 SERIES

## .029" WIRE ROPE



(APPLIES WITH SPACER TO PREVENT CABLES FROM CONTACTING EQUIPMENT)

| ISOLATOR PART NO. | NOMINAL DIMENSIONS (in) |        | LOAD MODE   | SHOCK AVERAGE K (lb/in) | VIBRATION AVERAGE K (lb/in) | MAX. RATED DYNAMIC TRAVEL (in) |
|-------------------|-------------------------|--------|-------------|-------------------------|-----------------------------|--------------------------------|
|                   | H NOMINAL               | W(REF) |             |                         |                             |                                |
| CA1-075-08-T2     | .55                     | .90    | COMPRESSION | 7.0                     | 17.0                        | .17                            |
|                   |                         |        | SHEAR       | 13.0                    | 7.0                         | .20                            |
|                   |                         |        | 45 DEG. C/R | T.B.D.                  | T.B.D.                      | T.B.D.                         |
| CA1-088-08-T2     | .65                     | .95    | COMPRESSION | 6.2                     | 13.0                        | .35                            |
|                   |                         |        | SHEAR       | 7.5                     | 5.0                         | .30                            |
|                   |                         |        | 45 DEG. C/R | T.B.D.                  | T.B.D.                      | T.B.D.                         |
| CA1-100-08-T2     | .75                     | 1.00   | COMPRESSION | 2.5                     | 6.5                         | .50                            |
|                   |                         |        | SHEAR       | 2.0                     | 2.0                         | .40                            |
|                   |                         |        | 45 DEG. C/R | T.B.D.                  | T.B.D.                      | T.B.D.                         |
|                   |                         |        |             |                         |                             |                                |

SEE ALSO CAX1 SERIES

OTHER MATERIALS, COMPOUNDS, OR FINISHES WITH EQUAL OR SUPERIOR PROPERTIES MAY BE SUBSTITUTED AS THEY BECOME AVAILABLE.

**CERTIFIED FOR:**

JOB NAME: \_\_\_\_\_  
 CUSTOMER : \_\_\_\_\_  
 CUSTOMER P.O.: \_\_\_\_\_  
 SALES ORDER: \_\_\_\_\_

**MODEL CA1 SERIES  
 CIRCULAR WIRE ROPE  
 ISOLATOR**



**THE VMC GROUP**  
*The Power of Together*  
 Bloomingdale, NJ 07403  
 Houston, TX 77041

SCALE :  
**NONE**  
 SHEET:



DRAWING NO.: \_\_\_\_\_ REVISION