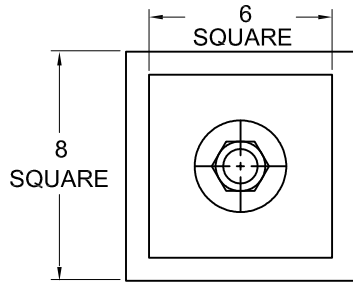


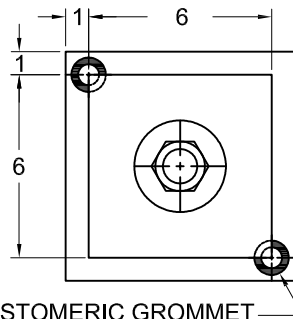
133R-101638 REV.: 7

REV.	DESCRIPTION	DATE	BY

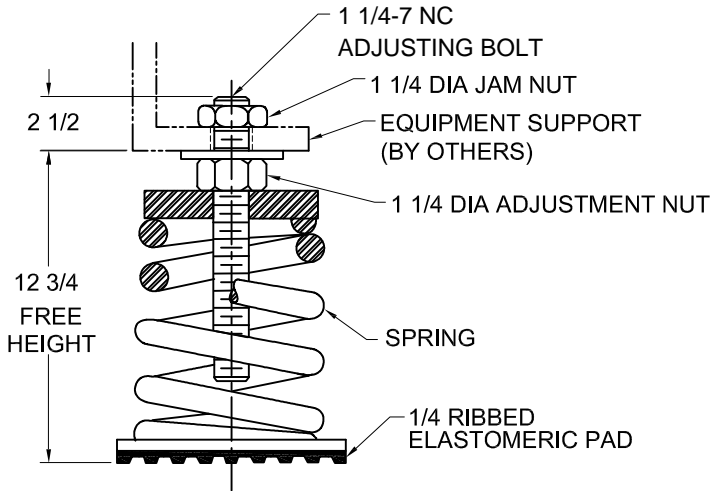
STYLE AW
MODEL AW-3R



STYLE AWH
MODEL AWH-3R



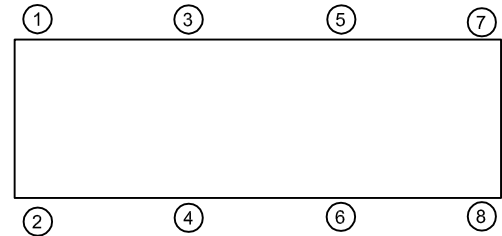
ELASTOMERIC GROMMET
FOR 1/2 DIA ANCHOR BOLTS
(2 TYP)



MODEL AW & AWH-3R SPRING-FLEX ISOLATORS				
ISOLATORS	DESIGN LOAD ⁴ (LBS)	DEFLECTION (IN)	SPRING RATE (LB/IN)	SPRING COLOR CODE
AW*-3R-5515 ^{1,2}	5515	2.46	2242	BLACK
AW*-3R-8320N ^{1,2}	8320	2.46	3382	BLACK/BLACK

NOTES:

- TWO NESTED SPRINGS YIELD THIS LOAD. THE COLOR CODE INDICATED IS FOR OUTER SPRING/ INNER SPRING.
- TO COMPLETE MODEL NUMBER, ADD STYLE LETTER (IF USED) IN PLACE OF *.
- DESIGN LOAD WILL BE LABELED ON ISOLATOR AND STENCILED ON BASE PLATE



- NOTES:
- ALL DIMENSIONS ARE IN INCHES. INTERPRET PER ANSI Y-14.
 - FINISH: HOUSING- ONE COAT BLACK PAINT, SPRING- PAINT BLACK, HARDWARE- ZINC ELECTROPLATE.
 - REFER TO DRAWING 2 OF 2 FOR INSTALLATION INSTRUCTIONS.
 - INNER SPRING (WHEN USED) NOT SHOWN.
 - ALL SPRINGS DESIGNED WITH 50% OVER-TRAVEL.
 - RATED DEFLECTIONS ARE WITHIN 25% OF NOMINAL. HIGHER DEFLECTIONS ARE ALLOWED IF THEY MEET SPECIFICATIONS

ISOLATOR SELECTIONS

LOC 1:	LOC 2:
LOC 3:	LOC 4:
LOC 5:	LOC 6:
LOC 7:	LOC 8:
CUSTOMER EQPT. TAG:	

NOTE: MATERIAL SHOWN IS FOR (1) SET.

OTHER MATERIALS, COMPOUNDS, OR FINISHES WITH EQUAL OR SUPERIOR PROPERTIES MAY BE SUBSTITUTED AS THEY BECOME AVAILABLE.

CERTIFIED FOR:

JOB NAME: _____
 CUSTOMER: _____
 CUSTOMER P.O.: _____
 SALES ORDER: _____

MODEL AW AND AWH-3R 5515-8320 LBS
 OPEN SPRING-ISOLATORS
 3 INCH DEFLECTION



THE VMC GROUP
The Power of Together
 Bloomingdale, NJ 07403
 Houston, TX 77041

SCALE:

NONE

SHEET:



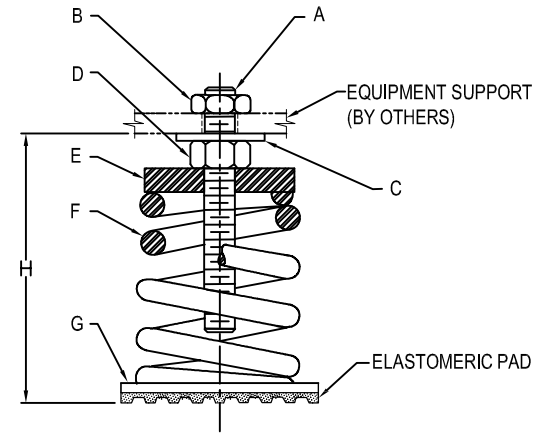
DRAWING NO.:

REVISION

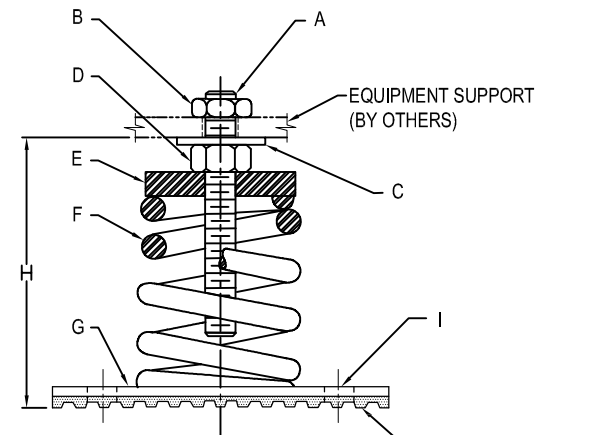
REV.	DESCRIPTION	DATE	BY

INSTALLATION INSTRUCTION

- ISOLATORS ARE SHIPPED FULLY ASSEMBLED AND ARE TO BE SPACED AND ARRANGED IN ACCORDANCE WITH INSTALLATION DRAWINGS OR AS OTHERWISE RECOMMENDED.
- SET ISOLATORS ON FLOOR OR SUB-BASE, ENSURING THAT ALL ISOLATOR CENTERLINES MATCH THE EQUIPMENT MOUNTING HOLES OR SPACE AND ARRANGE ISOLATORS IN ACCORDANCE WITH THE INSTALLATION DRAWING. SHIM OR GROUT AS REQUIRED LEVELING ALL ISOLATOR BASE PLATES AT THE SAME ELEVATION (1/4" MAXIMUM DIFFERENCE IN ELEVATION CAN BE TOLERATED). ISOLATOR BASE MUST REST ON A FLAT SURFACE.
- DESIGNATION OF ISOLATORS IS SHOWN ON TAG / LABEL ATTACHED TO EACH ISOLATOR OR ISOLATORS MAY BE IDENTIFIED BY SIZE OF BASE PLATE AND / OR SPRING COLOR CODE.
- IF FLOOR FASTENING IS REQUIRED, PLACE MOUNT AS INDICATED ON NOTE 1 THRU 3 AND ANCHOR USING (2) ANCHOR THRU HOLES "I" ON STEEL PLATE "G" (APPLIES ONLY TO **STYLE AWH** MOUNT).
- REMOVE JAM NUT "B" FROM ADJUSTING BOLT "A", TURN ADJUSTING NUT "D" COUNTER-CLOCKWISE TO SET "H" FOR ALL ISOLATORS.
- POSITION EQUIPMENT OVER THE ISOLATORS, ALIGN MOUNT ADJUSTING BOLT "A" TO EQUIPMENT BASE MOUNTING THRU HOLES.
- LOWER EQUIPMENT UNTIL IT REST ON ADJUSTING NUT WASHER "C" (SPRING WILL COMPRESS)
- INSERT JAM NUT "B" ON ADJUSTING BOLT "A".
- LEVEL EQUIPMENT BY TURNING ADJUSTING NUT "D" AS REQUIRED
- TIGHTEN JAM NUT "B". INSTALLATION IS COMPLETE



STYLE - AW



STYLE - AWH

CERTIFIED FOR:

JOB NAME: _____
 CUSTOMER : _____
 CUSTOMER P.O.: _____
 SALES ORDER: _____

**MODEL AW AND AWH-3R 5515-8320 LBS
 OPEN SPRING-ISOLATORS
 3 INCH DEFLECTION**



THE VMC GROUP
The Power of Together
 Bloomingdale, NJ 07403
 Houston, TX 77041

SCALE :
NONE
 SHEET: _____



DRAWING NO.: _____ REVISION