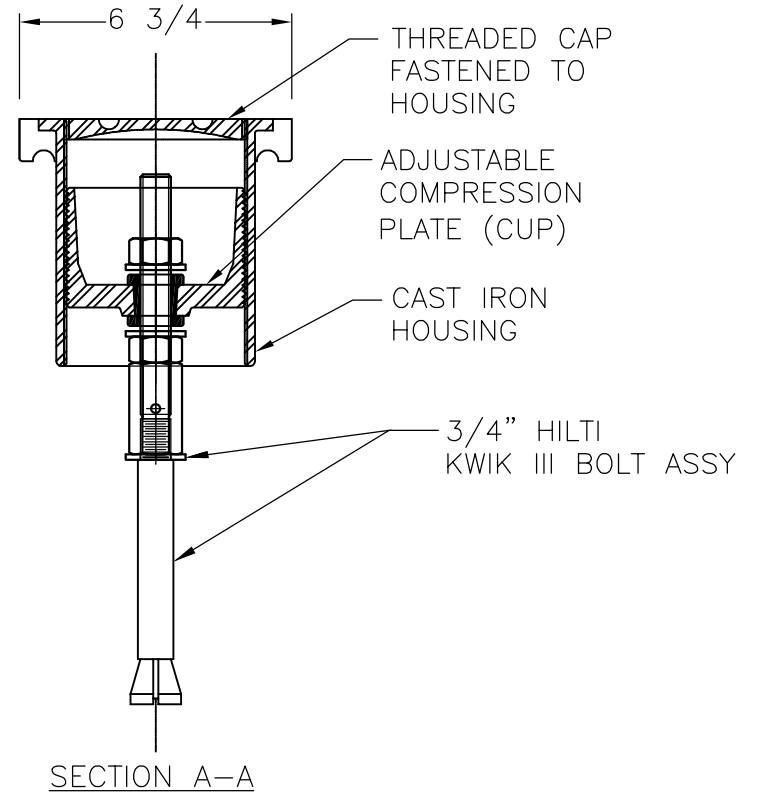
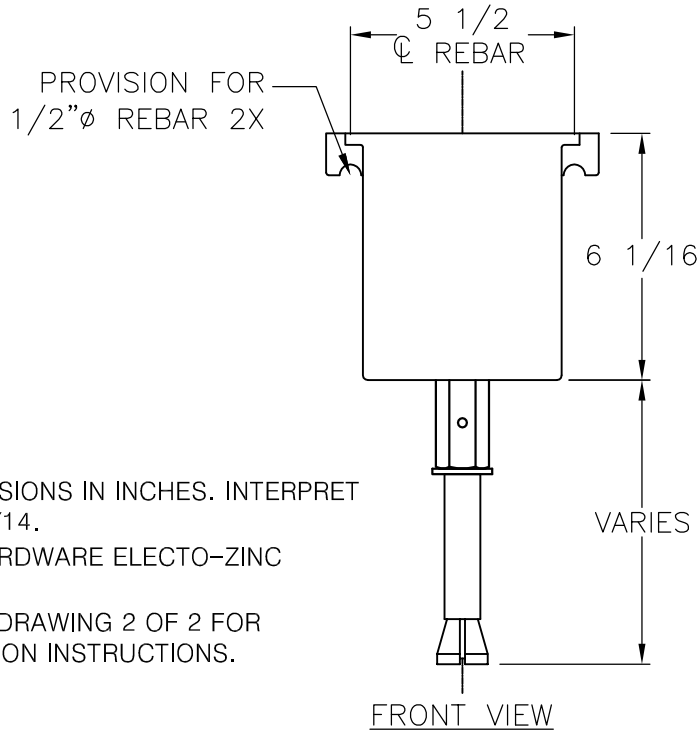
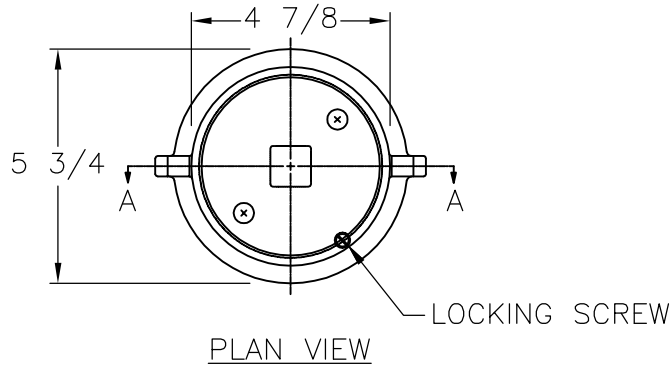


REV.	DESCRIPTION	DATE	BY



NOTES:

1. ALL DIMENSIONS IN INCHES. INTERPRET PER ANSI Y14.
2. FINISH: HARDWARE ELECTO-ZINC PLATED.
3. REFER TO DRAWING 2 OF 2 FOR INSTALLATION INSTRUCTIONS.

OTHER MATERIALS, COMPOUNDS, OR FINISHES WITH EQUAL OR SUPERIOR PROPERTIES MAY BE SUBSTITUTED AS THEY BECOME AVAILABLE.

CERTIFIED FOR:

JOB NAME: _____
 CUSTOMER : _____
 CUSTOMER P.O.: _____
 SALES ORDER: _____

MODEL ASFM SEISMIC FLOOR RESTRAINT



THE VMC GROUP
The Power of Together
 Bloomingdale, NJ 07403
 Houston, TX 77041

SCALE :

NONE

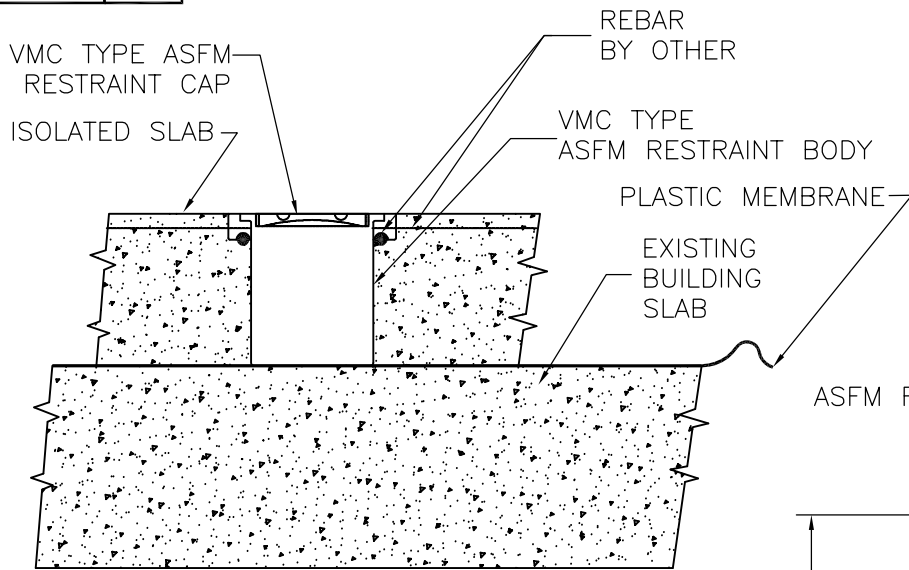
SHEET:



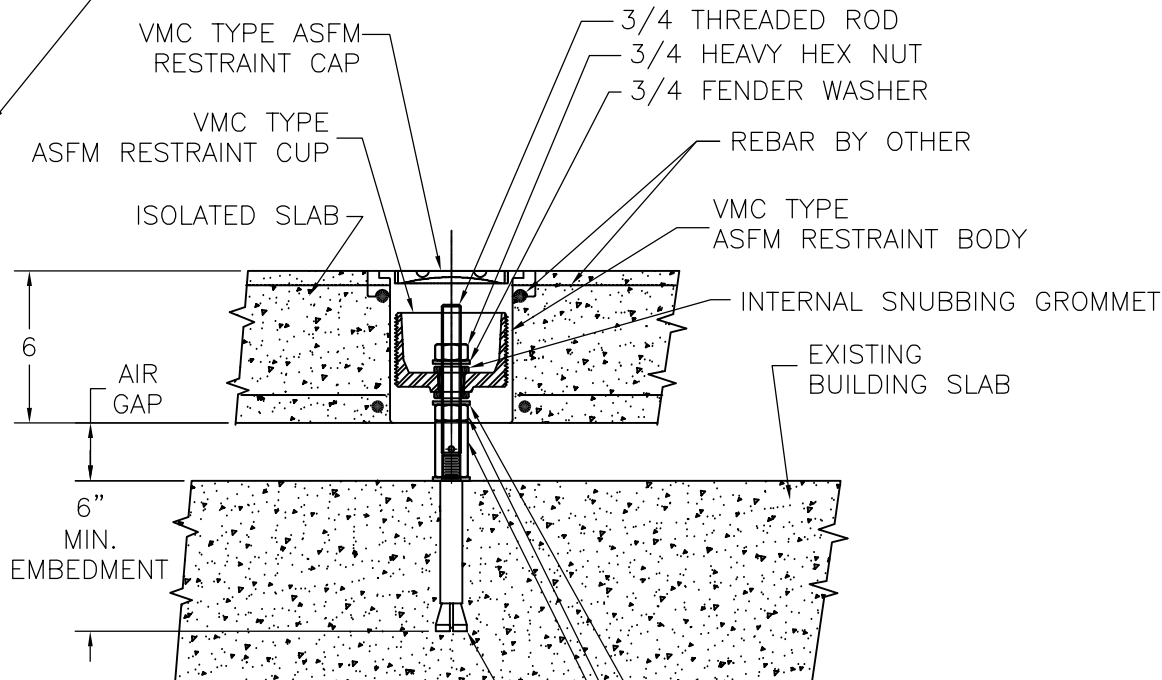
DRAWING NO.:

REVISION

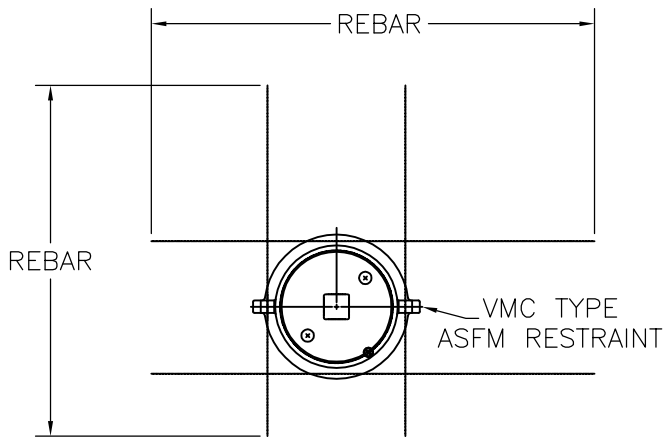
REV.	DESCRIPTION	DATE	BY



ASFM SEISMIC RESTRAINT
POURING DET.



ASFM SEISMIC RESTRAINT
FULL INSTALLATION



ASFM SEISMIC RESTRAINT
TYP. REBAR DETAIL

OTHER MATERIALS, COMPOUNDS, OR FINISHES WITH EQUAL OR SUPERIOR PROPERTIES MAY BE SUBSTITUTED AS THEY BECOME AVAILABLE.

CERTIFIED FOR:

JOB NAME: _____
 CUSTOMER: _____
 CUSTOMER P.O.: _____
 SALES ORDER: _____

MODEL ASFM SEISMIC FLOOR RESTRAINT



THE VMC GROUP
 The Power of Together
 Bloomingdale, NJ 07403
 Houston, TX 77041

SCALE:
NONE

SHEET:



DRAWING NO.:

REVISION