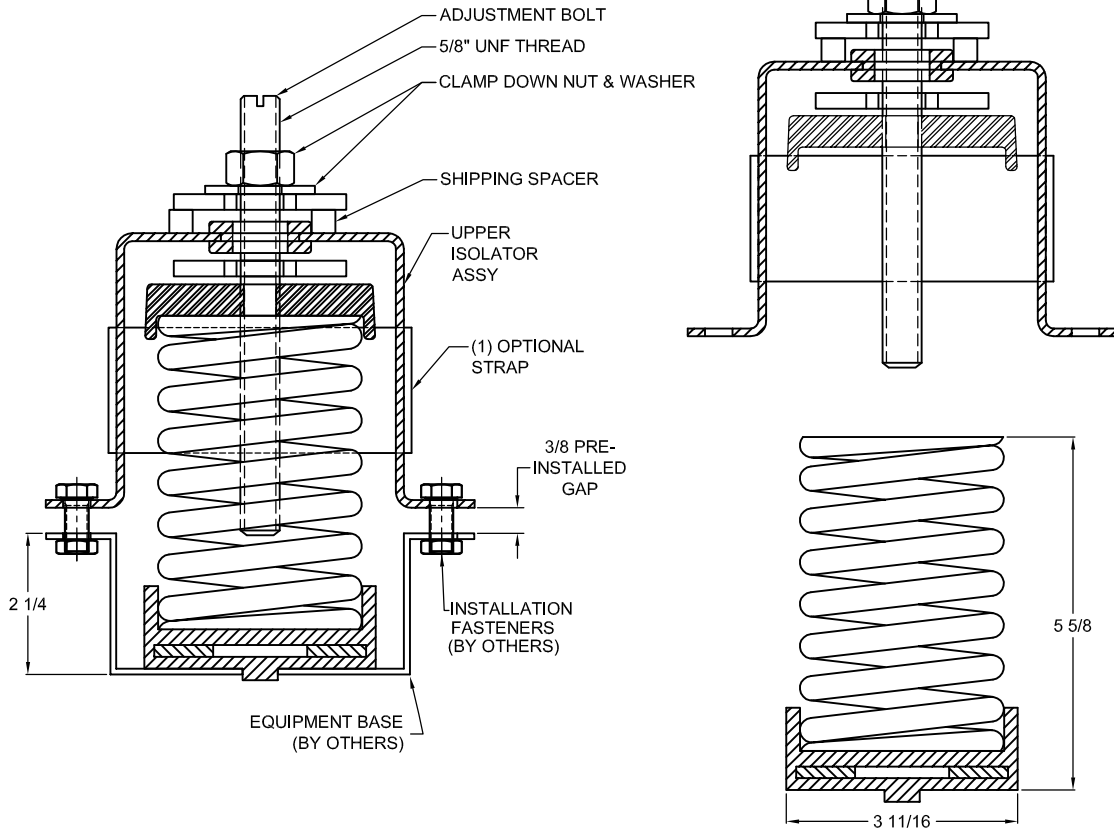
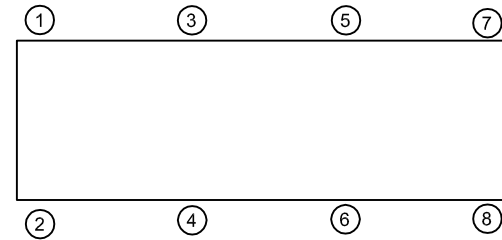


REV.	DESCRIPTION	DATE	BY



TYPE ASCM-LP SPRING SEISMIC ISOLATORS			
PART NUMBER	STATIC RATED LOAD (LBS)	DEFLECTION (IN)	SPRING COLOR CODE
401401-2D-75	75	2.40	WHITE
401401-2D-160	160	2.29	YELLOW
401401-2D-230	230	2.30	GREEN
401401-2D-355	355	2.15	DK. BROWN
401401-2D-435	435	1.89	RED
401401-2D-725	725	1.61	TAN
401401-2D-1000N	1000N	1.69	PINK/BLACK
401401-2D-1320N	1320N	1.54	PINK/GRAY



**NOTES:**

1. ALL DIMENSIONS IN INCHES. INTERPRET PER ANSI Y14.
2. FINISH: SPRING-POWDER COAT, HARDWARE-ZINC ELECTROPLATE
3. REFER TO DRAWING 2 OF 2 FOR INSTALLATION INSTRUCTIONS.
4. INNER SPRING (WHEN USED) NOT SHOWN.
5. ALL SPRINGS DESIGNED WITH 50% OVER-TRAVEL.
6. RATED DEFLECTIONS ARE WITHIN 25% OF NOMINAL. HIGHER DEFLECTIONS ARE ALLOWED IF THEY MEET SPECIFICATIONS.

ISOLATOR SELECTIONS	
LOC 1:	LOC 2:
LOC 3:	LOC 4:
LOC 5:	LOC 6:
LOC 7:	LOC 8:
CUSTOMER EQP'T. TAG:	

NOTE: MATERIAL SHOWN IS FOR (1) SET.

OTHER MATERIALS, COMPOUNDS, OR FINISHES WITH EQUAL OR SUPERIOR PROPERTIES MAY BE SUBSTITUTED AS THEY BECOME AVAILABLE.

**CERTIFIED FOR:**

JOB NAME: \_\_\_\_\_  
 CUSTOMER : \_\_\_\_\_  
 CUSTOMER P.O.: \_\_\_\_\_  
 SALES ORDER: \_\_\_\_\_

**MODEL ASCM-LP 75-1320N LBS.  
 SEISMIC ISOLATORS  
 2 INCH DEFLECTION**



**THE VMC GROUP**  
*The Power of Together*  
 Bloomingdale, NJ 07403  
 Houston, TX 77041

SCALE:

NONE

SHEET:



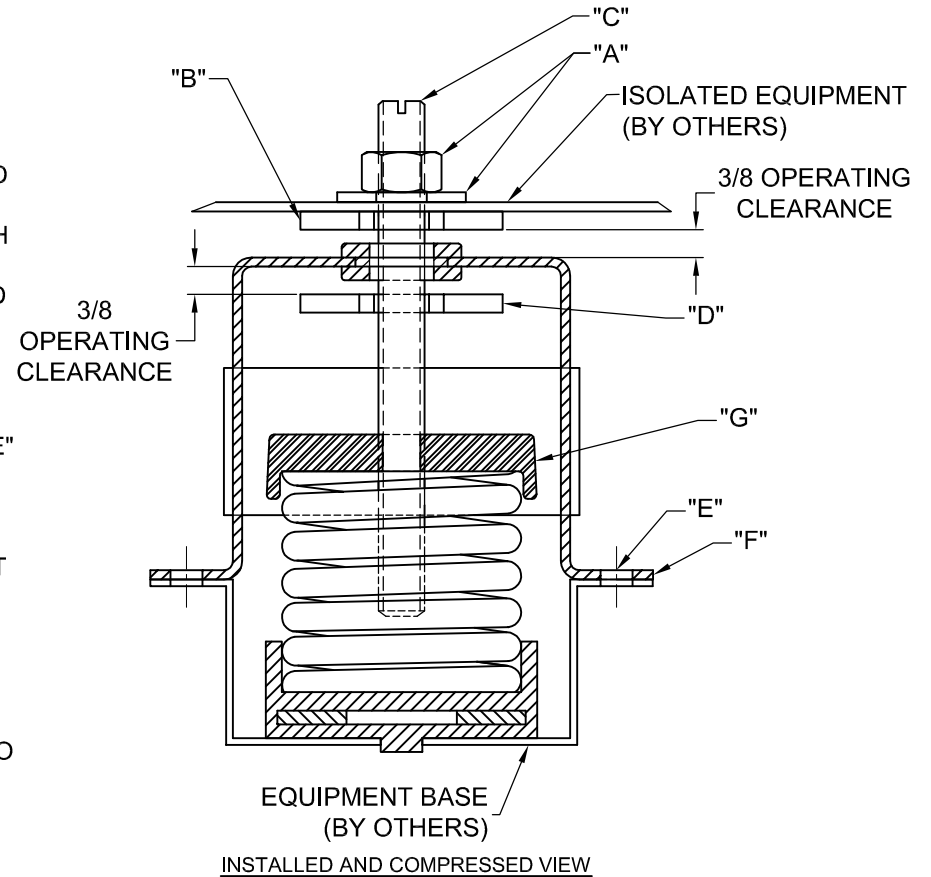
DRAWING NO.:

REVISION



REV.	DESCRIPTION	DATE	BY

**INSTALLATION INSTRUCTION FOR VMC SERIES ASCM-LP**

- ISOLATORS ARE SHIPPED FULLY ASSEMBLED AND ARE TO BE SPACED AND ARRANGED IN ACCORDANCE WITH INSTALLATION DRAWINGS OR AS OTHERWISE RECOMMENDED. MOUNT SHOULD BE ORIENTED WITH SPRING FACING OUTWARD FROM EQUIPMENT OR BASE.
- SET ISOLATORS ON EQUIPMENT BASE. SHIM OR GROUT AS REQUIRED LEVELING ALL UPPER ISOLATOR ASSEMBLIES "F" AT THE SAME ELEVATION (1/4" MAXIMUM DIFFERENCE IN ELEVATION CAN BE TOLERATED). UPPER ISOLATOR ASSEMBLIES MUST REST ON A FLAT SURFACE.
- ANCHOR ALL ISOLATORS TO EQUIPMENT BASE USING THRU HOLES "E" AS REQUIRED.
- REMOVE NUT AND WASHER "A" AND SAVE. REMOVE SHIPPING SPACERS. GENTLY PLACE MACHINE OR MACHINE BASE ON TOP OF UPPER REBOUND PLATE "B". INSTALL NUT AND WASHER, BUT DO NOT TIGHTEN.
- THE WEIGHT OF THE MACHINE WILL CAUSE THE SPRING AND THUS THE ADJUSTMENT BOLT TO DESCEND.
- ADJUST ALL ISOLATORS BY HOLING THE ADJUSTMENT BOLT "C" AND TURNING THE COMPRESSION PLATE "G" SO THAT THE OPERATING CLEARANCE IS APPROXIMATELY 3/8". NOTE: IT MAY BE NECESSARY TO ADJUST REBOUND PLATE "D" FOR CLEARANCE.
- FINE TUNE ADJUST EQUIPMENT TO LEVEL EQUIPMENT.
- TIGHTEN NUT AND WASHER. INSTALLATION IS COMPLETE.



OTHER MATERIALS, COMPOUNDS, OR FINISHES WITH EQUAL OR SUPERIOR PROPERTIES MAY BE SUBSTITUTED AS THEY BECOME AVAILABLE.

<b>CERTIFIED FOR:</b> JOB NAME: _____ CUSTOMER : _____ CUSTOMER P.O.: _____ SALES ORDER: _____	<b>MODEL ASCM-LP 75-1320N LBS. SEISMIC ISOLATORS 2 INCH DEFLECTION</b>	 <b>THE VMC GROUP</b> <i>The Power of Together</i> Bloomingdale, NJ 07403 Houston, TX 77041	SCALE: NONE	Member 
			SHEET:	