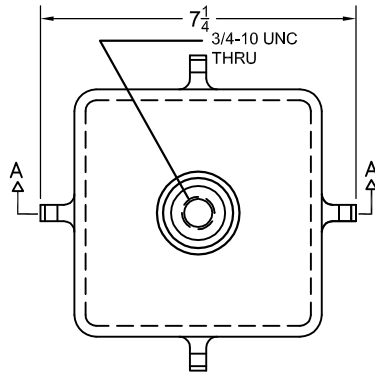


REV.	DESCRIPTION	DATE	BY



MODEL ANFF-4 ISOLATOR 6 INCH FLOATING FLOOR			
MODEL NO.	LOAD	PART NUMBER	COLOR CODE
ANFF-4-1000	1000	770109-1-6	YELLOW
ANFF-4-1500	1500	770109-2-6	GREEN
ANFF-4-2000	2000	770109-3-6	RED
ANFF-4-2500	2500	770109-4-6	WHITE
ANFF-4-3500	3500	770109-6-6	PURPLE

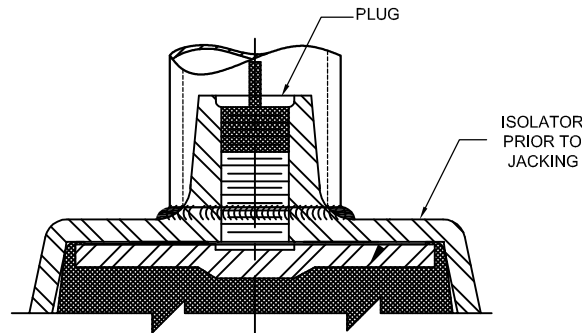
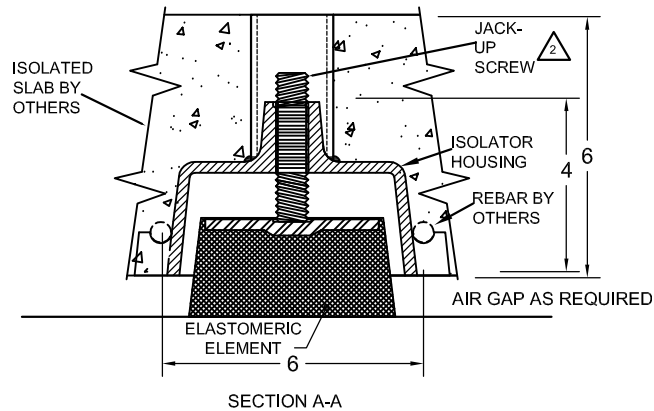


FIGURE 1
PLUG APPLICATION ILLUSTRATION
SHIPPED LOOSE

FOR INDICATED AIR GAP, ORDER THE FOLLOWING JACK-UP SCREW

PART NUMBER	AIR GAP	LENGTH
145745-1	1-1 1/2	2 1/2"
145235	1 1/2-2 1/2	3 1/2"
145745-2	2 1/2-3 1/2	4 1/2"
145236	3 1/2-4 1/2	5 1/2"

NOTES:

- 1. HOUSING; GREY CAST IRON
- △ CUSTOMER SPECIFIED BASE ON AIR GAP REQUIREMENTS SOLD SEPARATELY ON PURCHASE ORDER.

OTHER MATERIALS, COMPOUNDS, OR FINISHES WITH EQUAL OR SUPERIOR PROPERTIES MAY BE SUBSTITUTED AS THEY BECOME AVAILABLE.

CERTIFIED FOR:

JOB NAME: _____

CUSTOMER : _____

CUSTOMER P.O.: _____

SALES ORDER: _____

MODEL ANFF-4 1000-3500 LBS
ELASTOMERIC ISOLATOR
6 INCH FLOATING FLOOR
0.02-0.03 DEFLECTION



THE VMC GROUP
The Power of Together
Bloomingdale, NJ 07403
Houston, TX 77041

SCALE :

NONE

SHEET:



DRAWING NO.:

REVISION